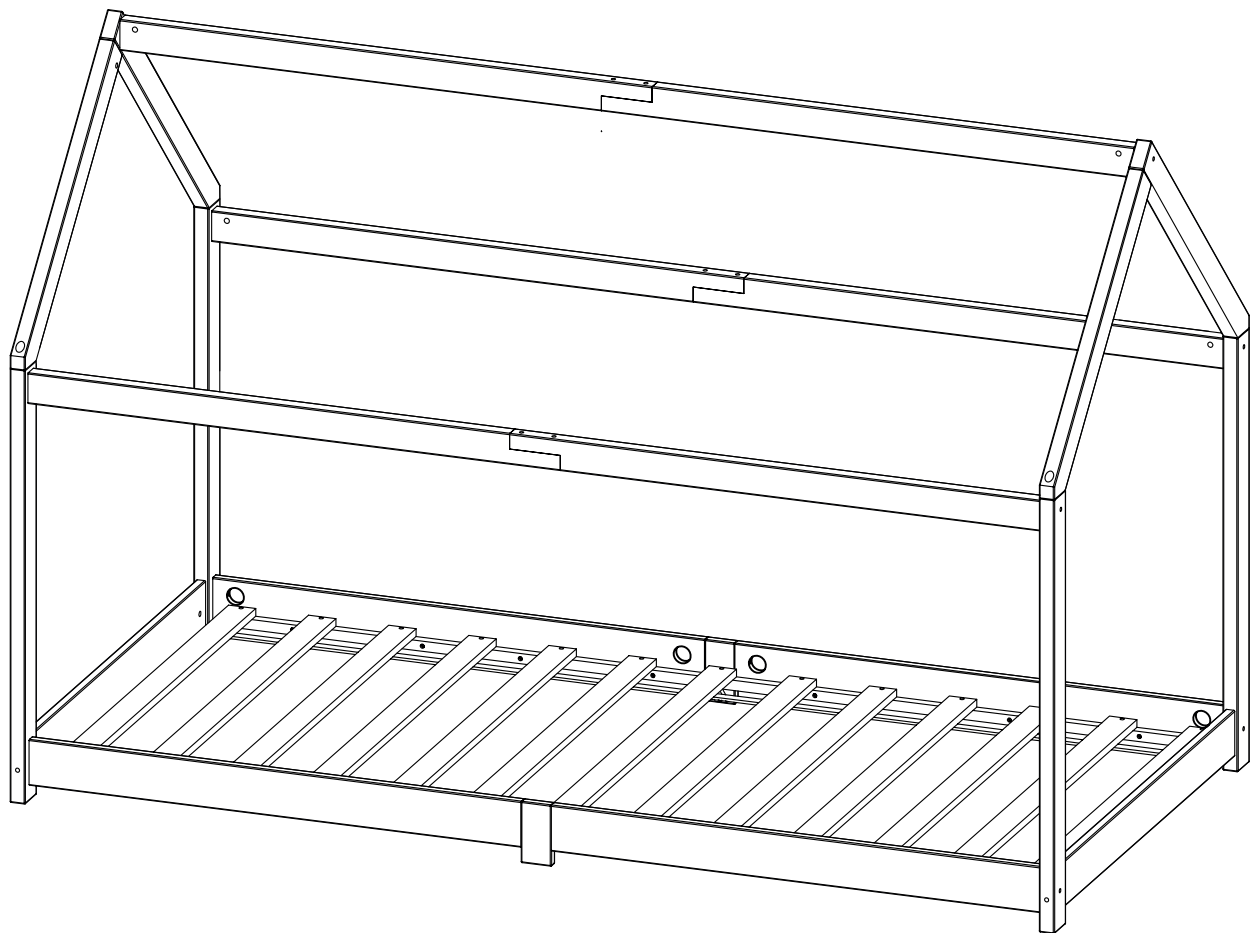


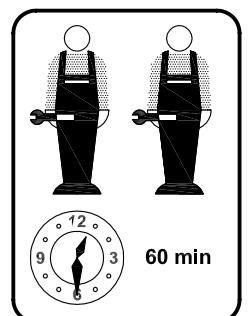
# Wooden Bed 90 x 200 cm

ML-250 - ML-252

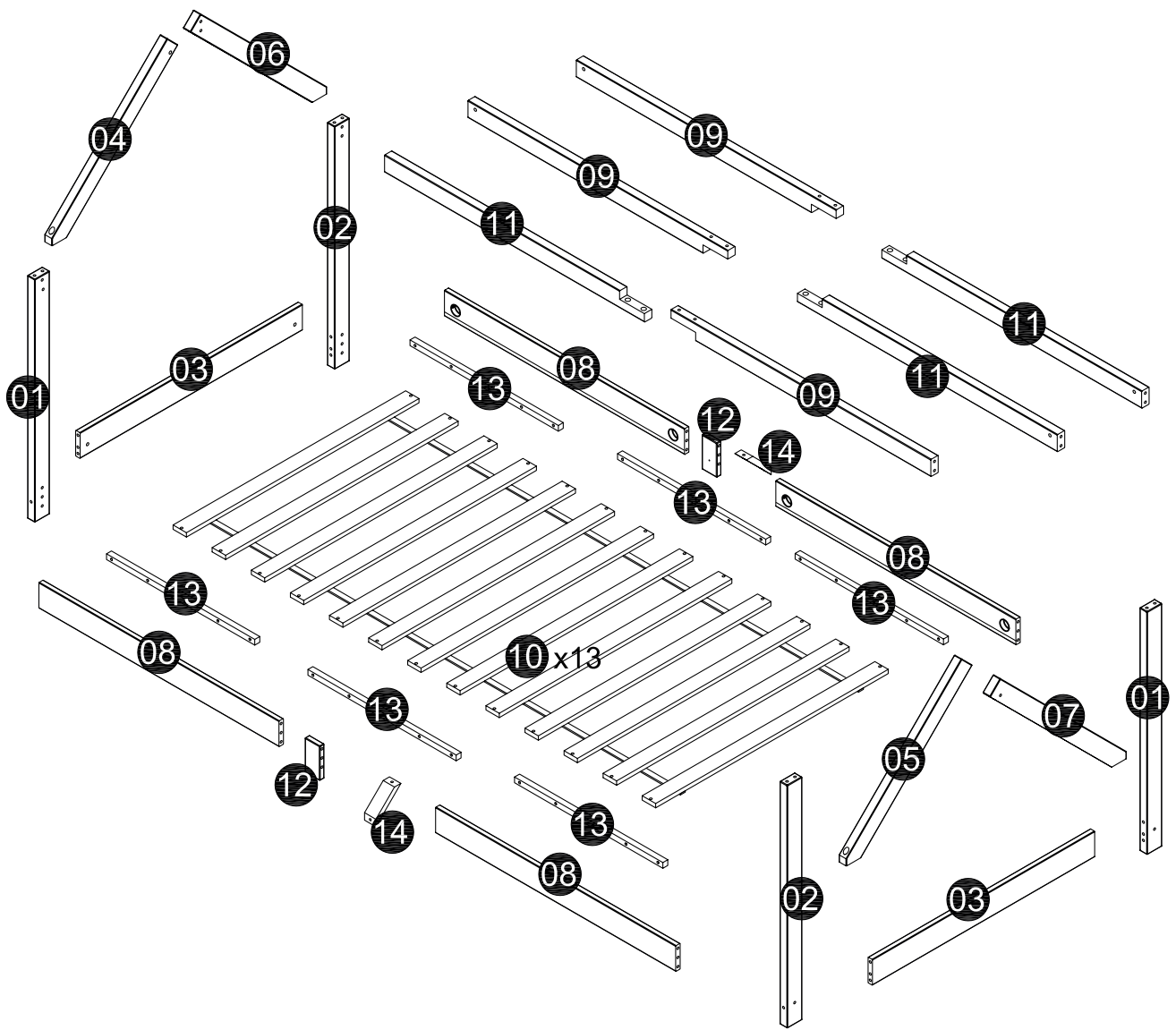


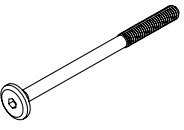
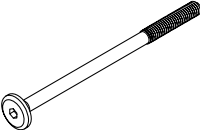
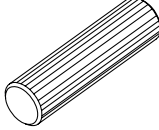


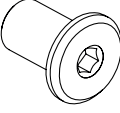
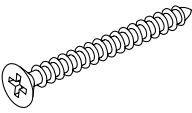
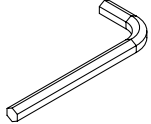
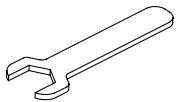
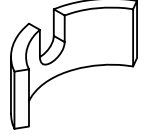
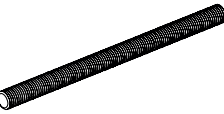
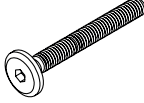

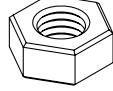
READ THE ASSEMBLY INSTRUCTIONS CAREFULLY. IDENTIFY THE ELEMENTS CONSTITUING YOUR PIECE OF FURNITURE. GROUP AND CHECK THE HARDWARE FITTINGS. GET THE TOOLS NEEDED. CLEAR SPACE TO WORK. PROCEED TO ASSEMBLE

NEVER FORCE THE FITTINGS. TIGHTEN THE SCREW AFTER USING FOR SOMETIME. KEEP YOUR ASSEMBLY INSTRUCTIONS. IT COULD HELP FOR BETTER COMMUNICATION WITH YOUR STORE. IN THE EVENT OF QUERY.



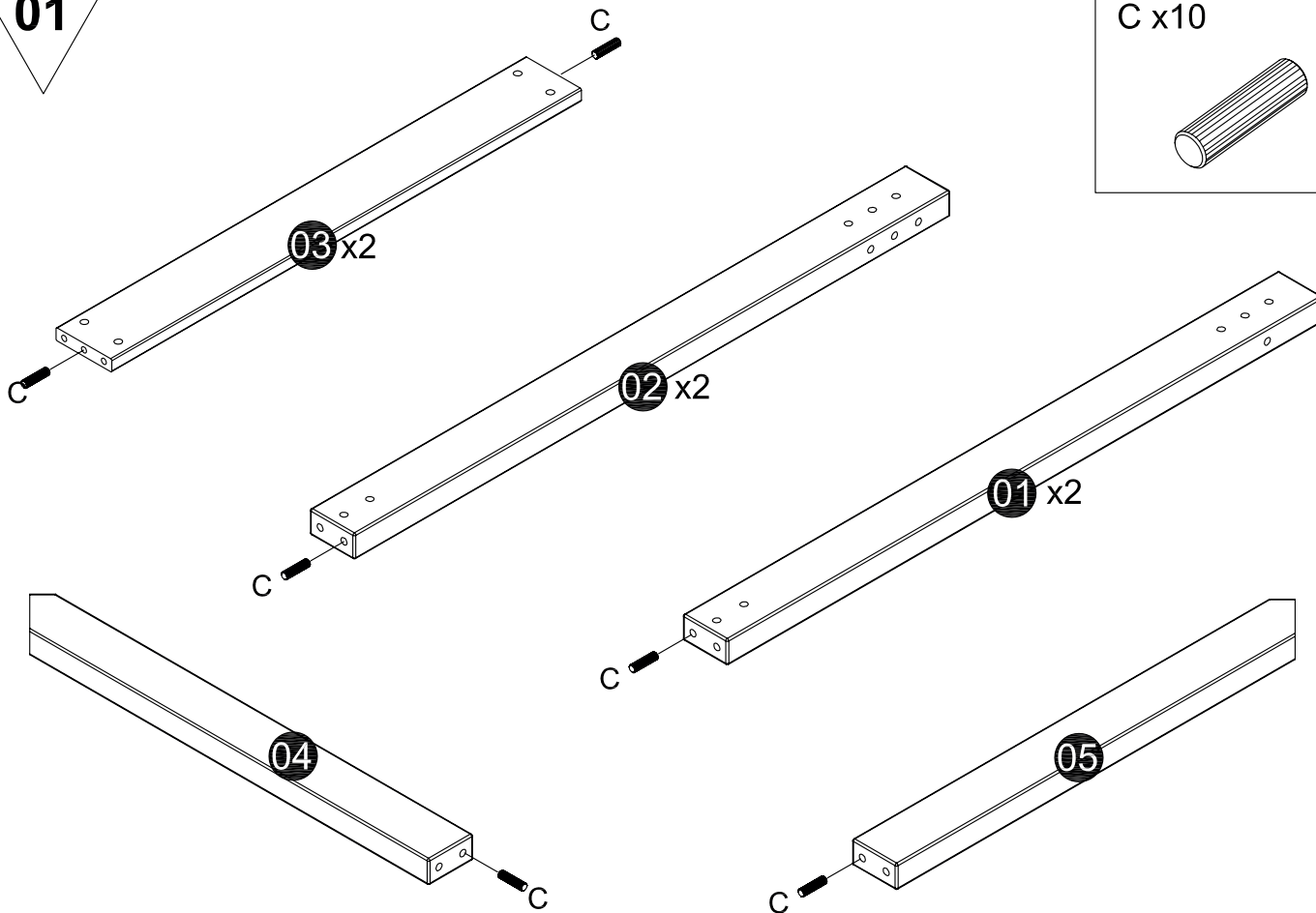
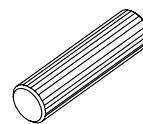




<p>A x10</p>  <p>M6 x 90 mm</p>	<p>B x8</p>  <p>M6 x 100 mm</p>	<p>C x32</p>  <p>M8 x 30 mm</p>	<p>D x14</p> 	<p>E x6</p>  <p>Ø6 x 90 mm</p>
<p>F x6</p> 	<p>G x60</p>  <p>Ø4 x 30 mm</p>	<p>H x2</p> 	<p>I x1</p> 	<p>J x8</p> 
<p>K x2</p>  <p>M6 x 140 mm</p>	<p>L x6</p>  <p>M6 x 45 mm</p>	<p>M x8</p> 	<p>N x8</p> 	

01

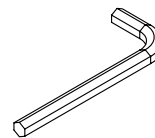
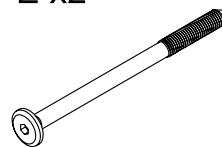
C x10



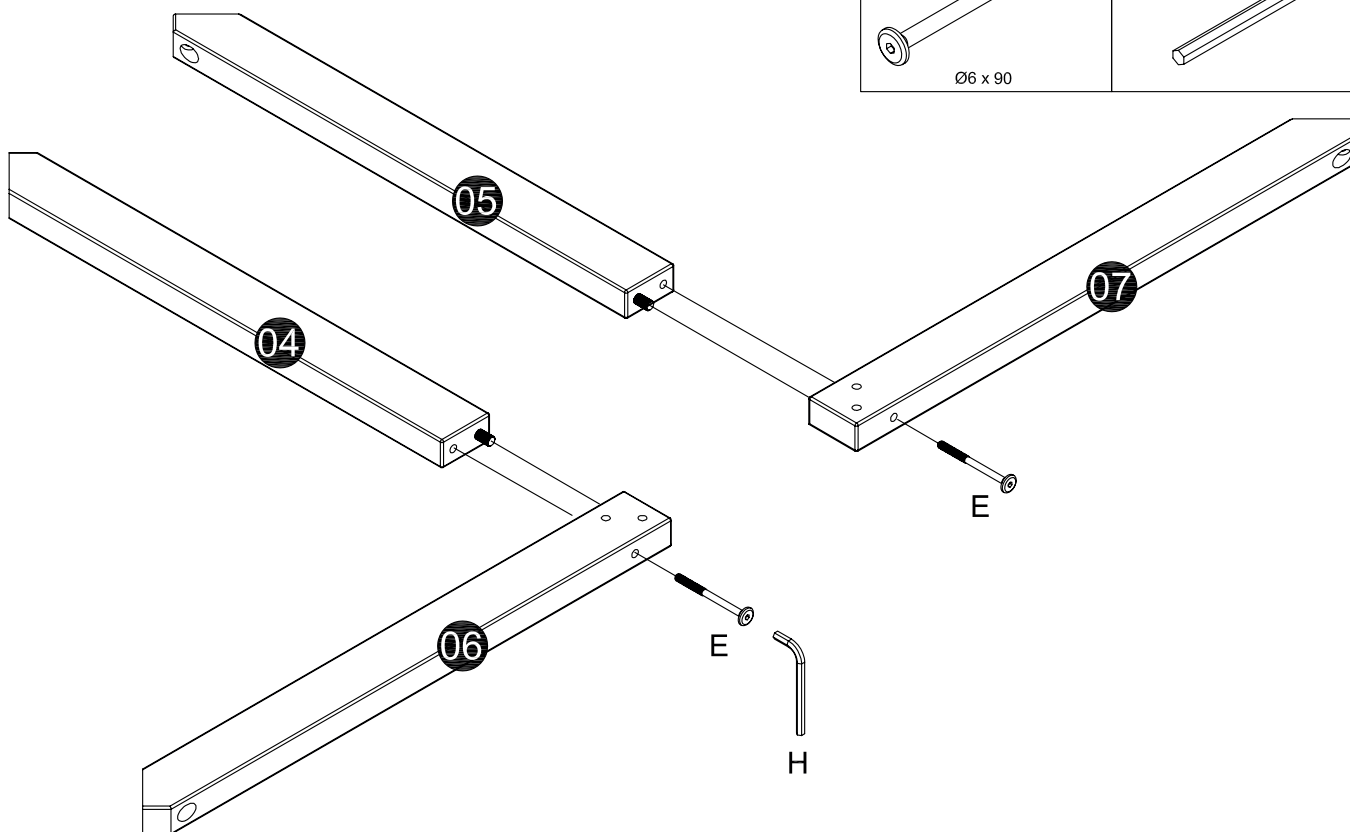
02

E x2

H x1

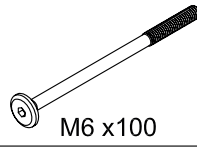


Ø6 x 90



03

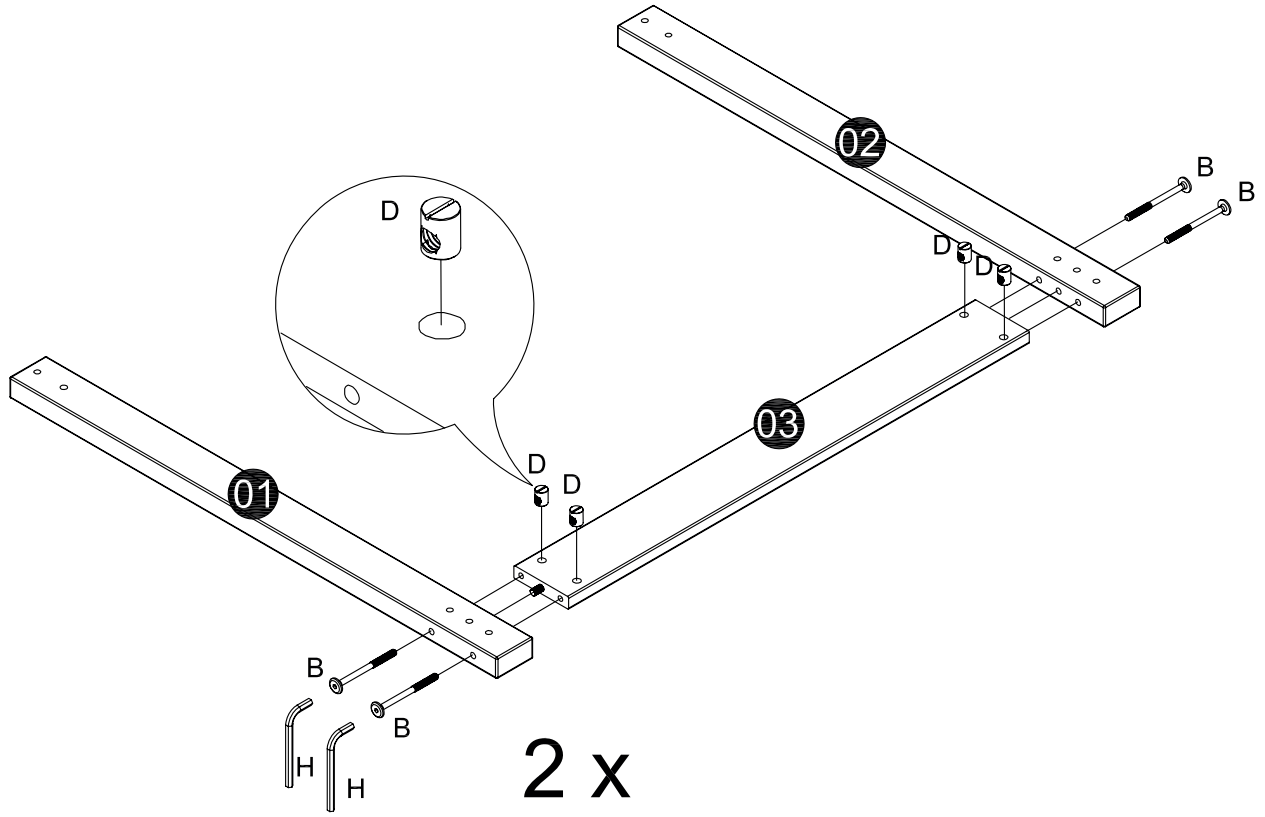
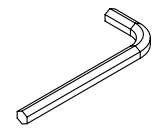
B x8



D x8

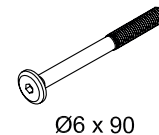


H x1

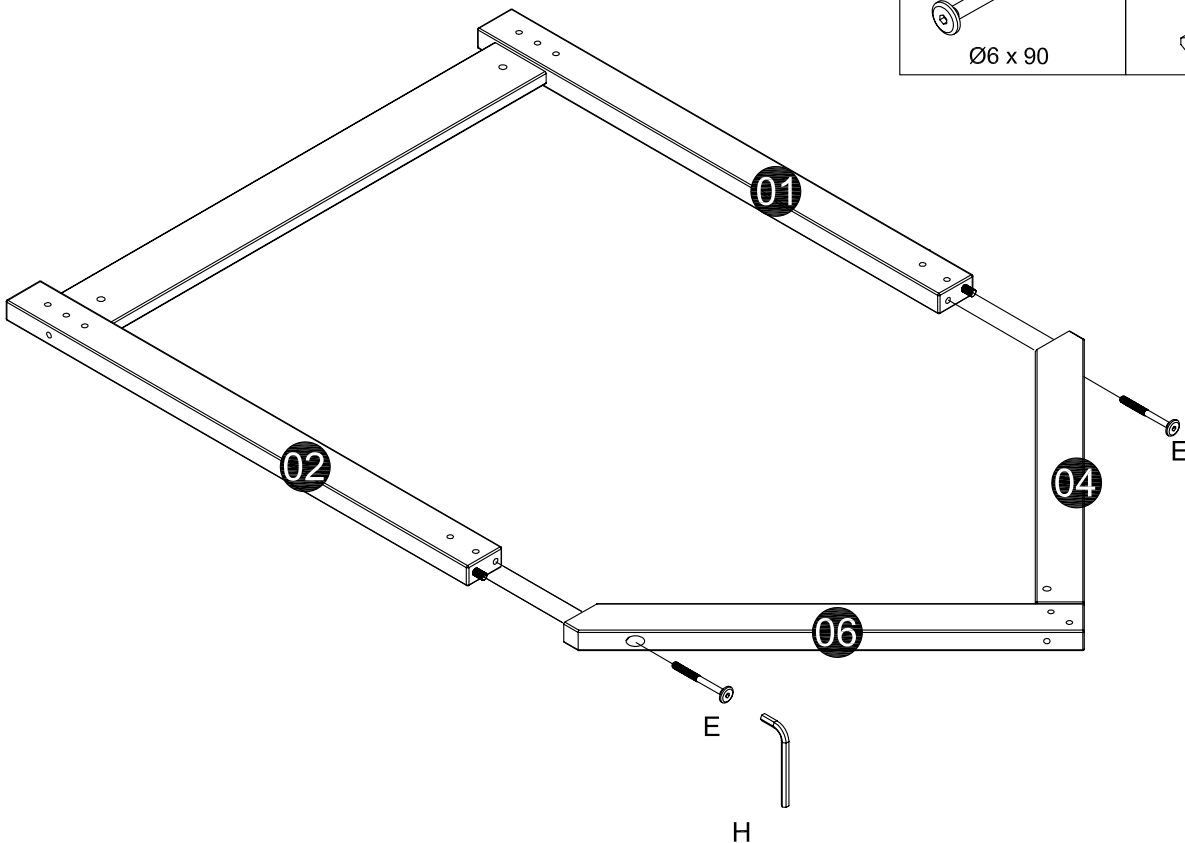
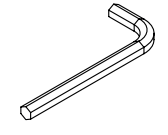


04

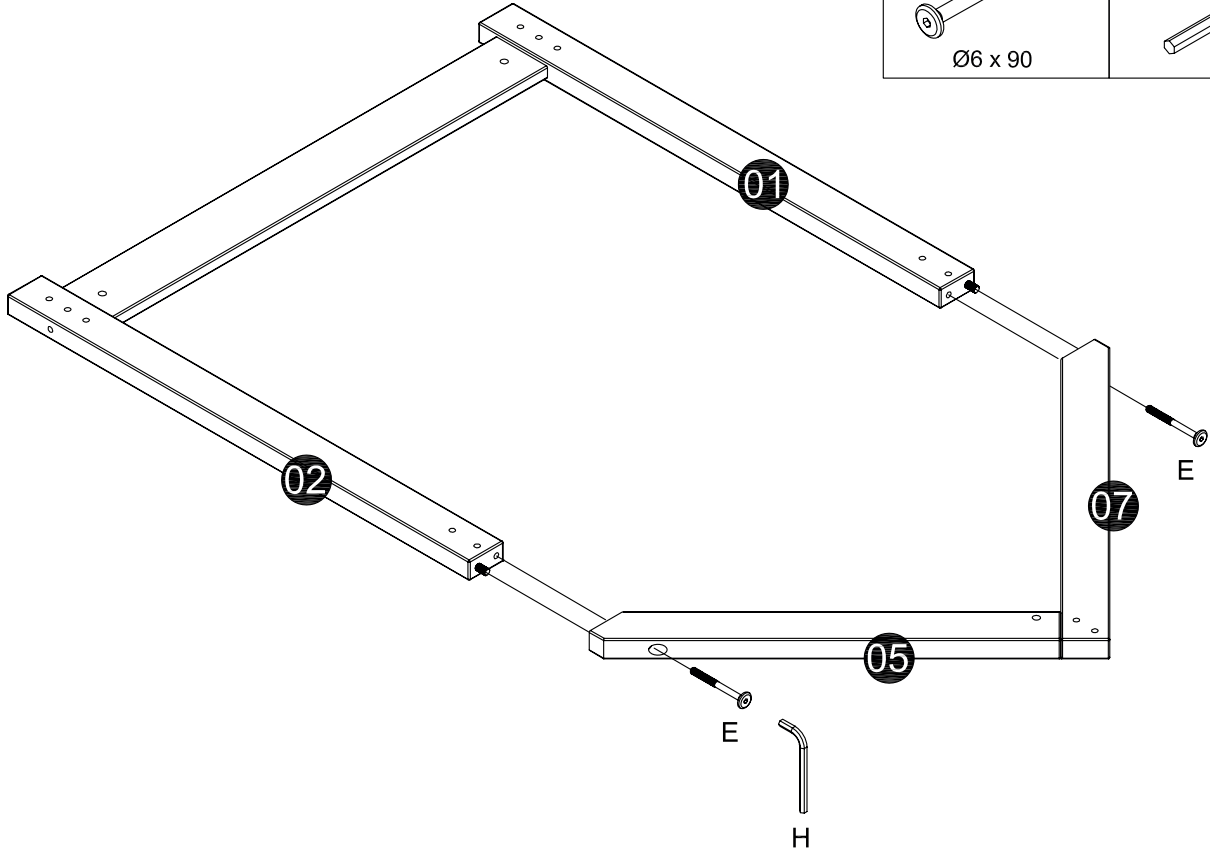
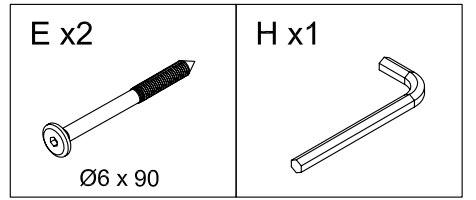
E x2



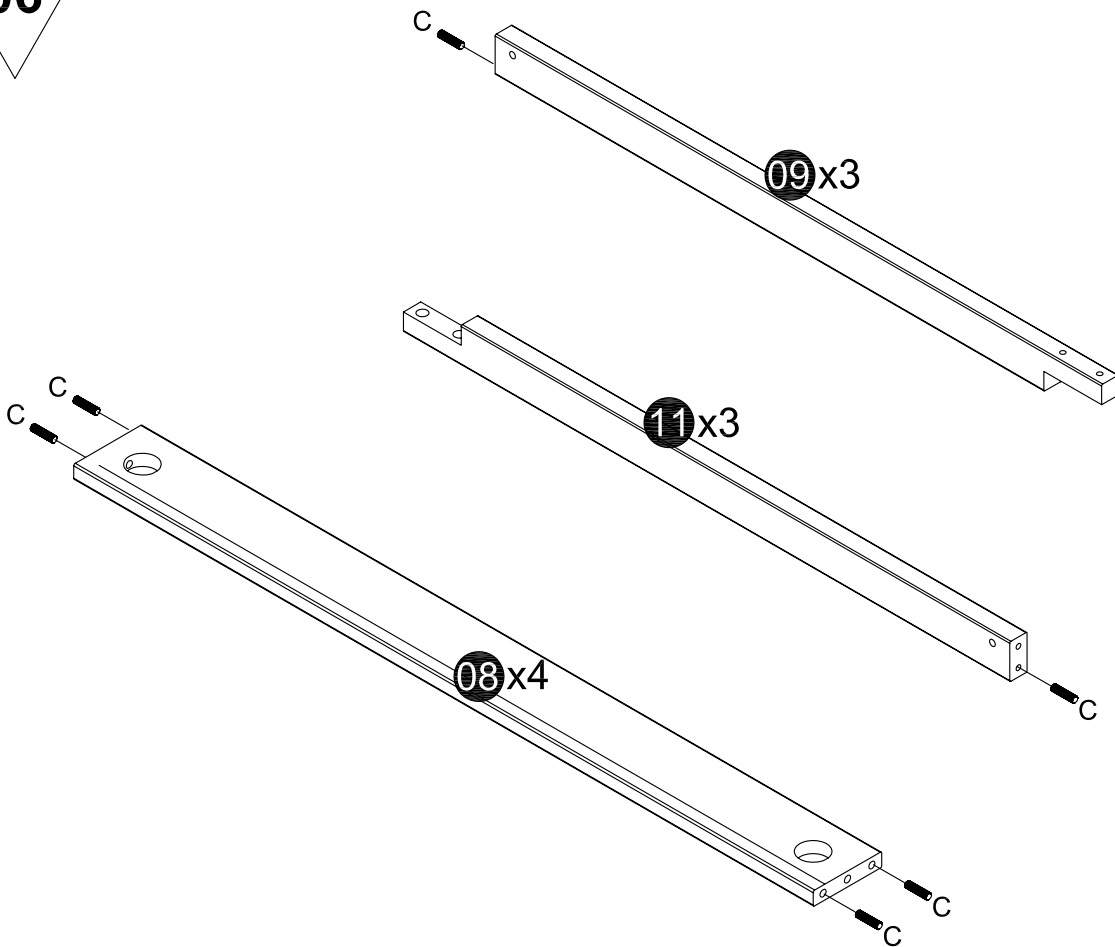
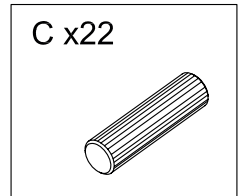
H x1



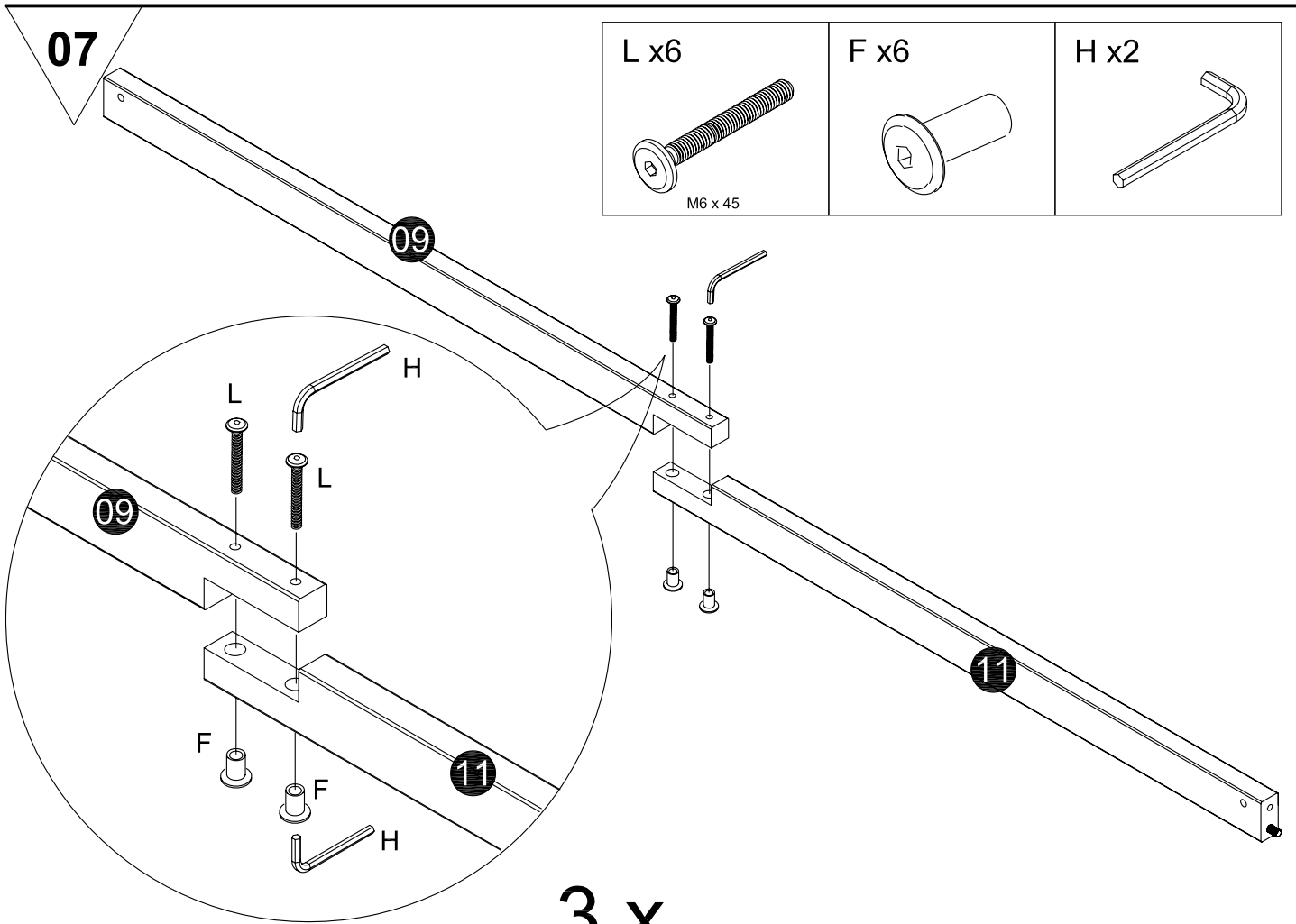
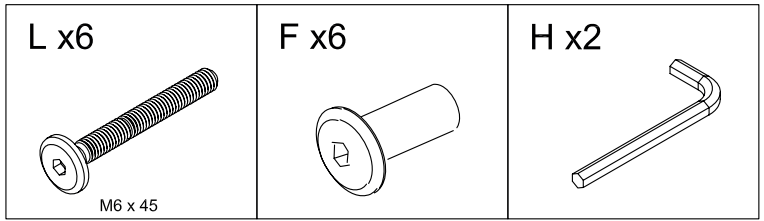
05



06

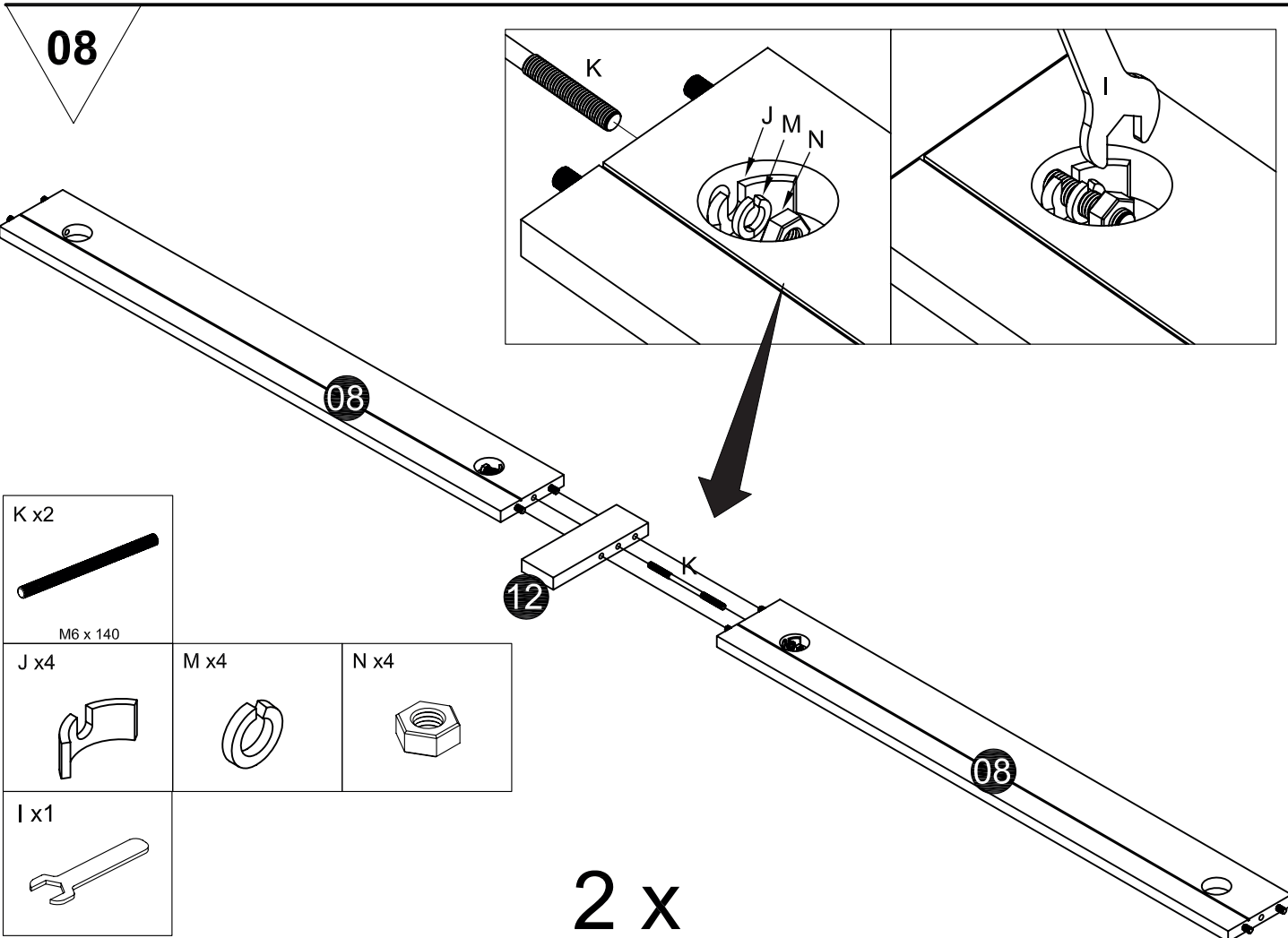
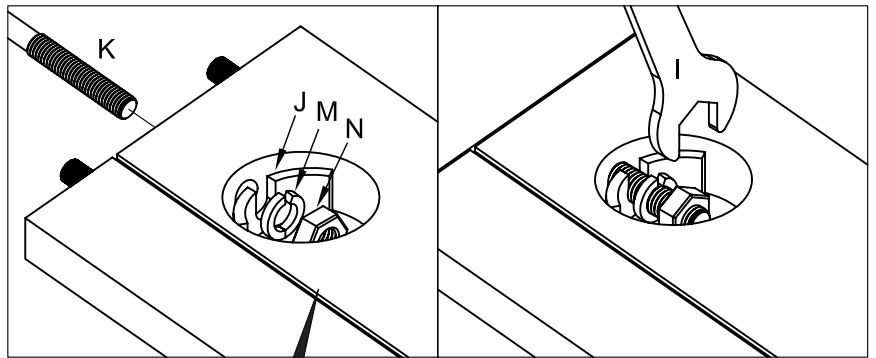


07

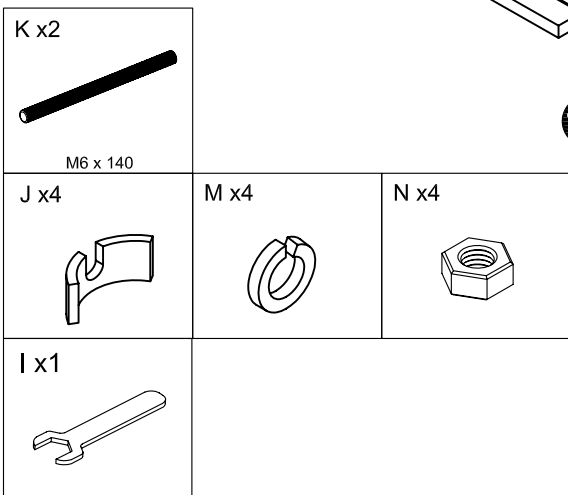


3 x

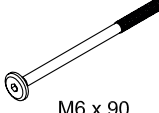



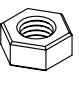
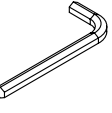
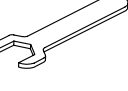
08

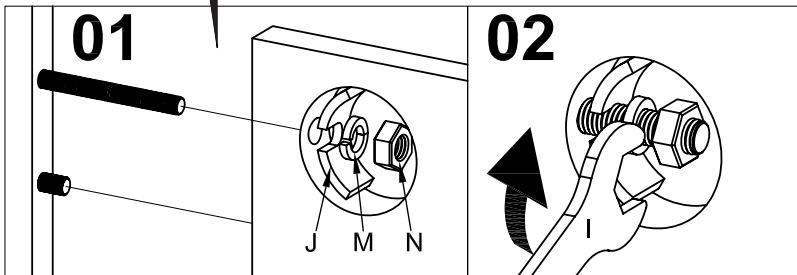
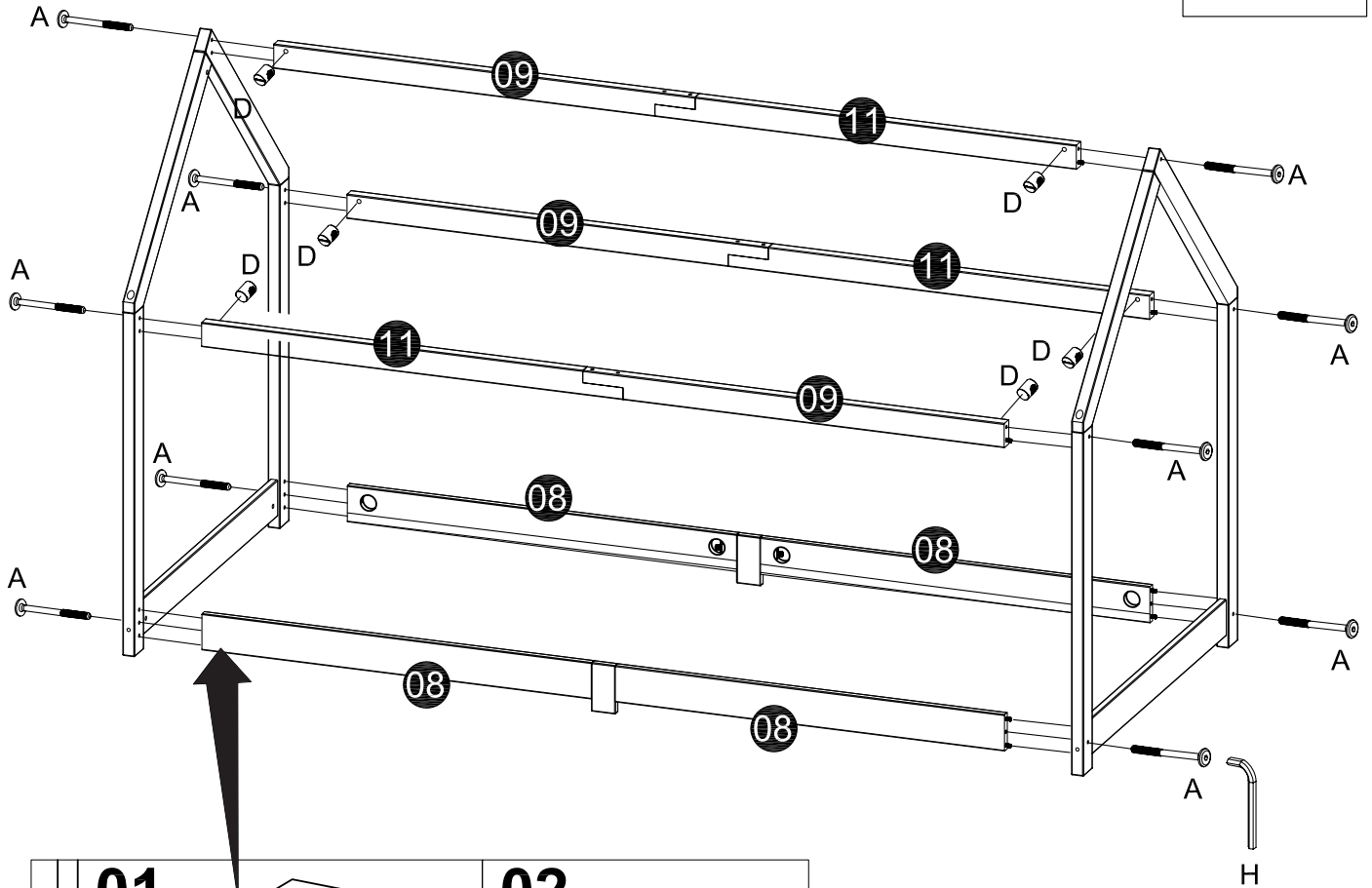


2 x



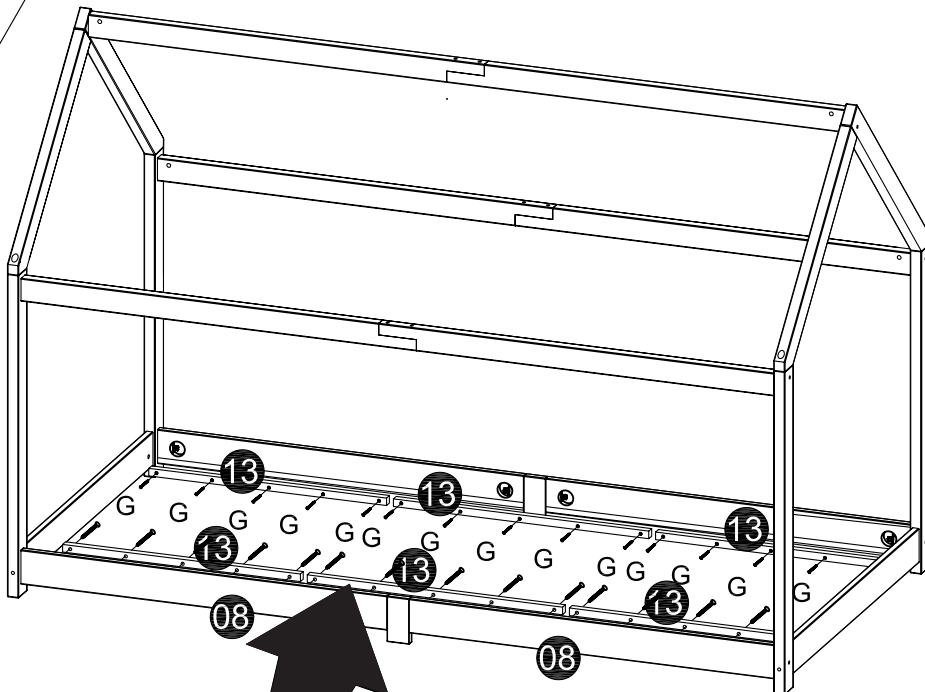
09

A x10  M6 x 90	D x6 	J x4 	M x4 	N x4 	H x1 
					I x1 

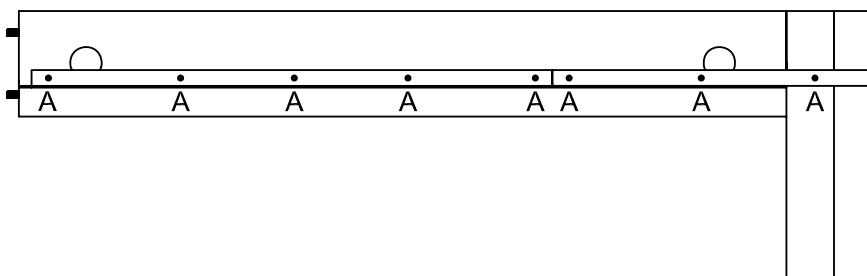
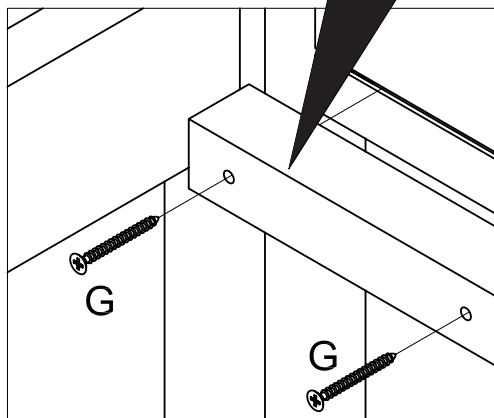
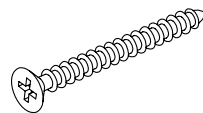




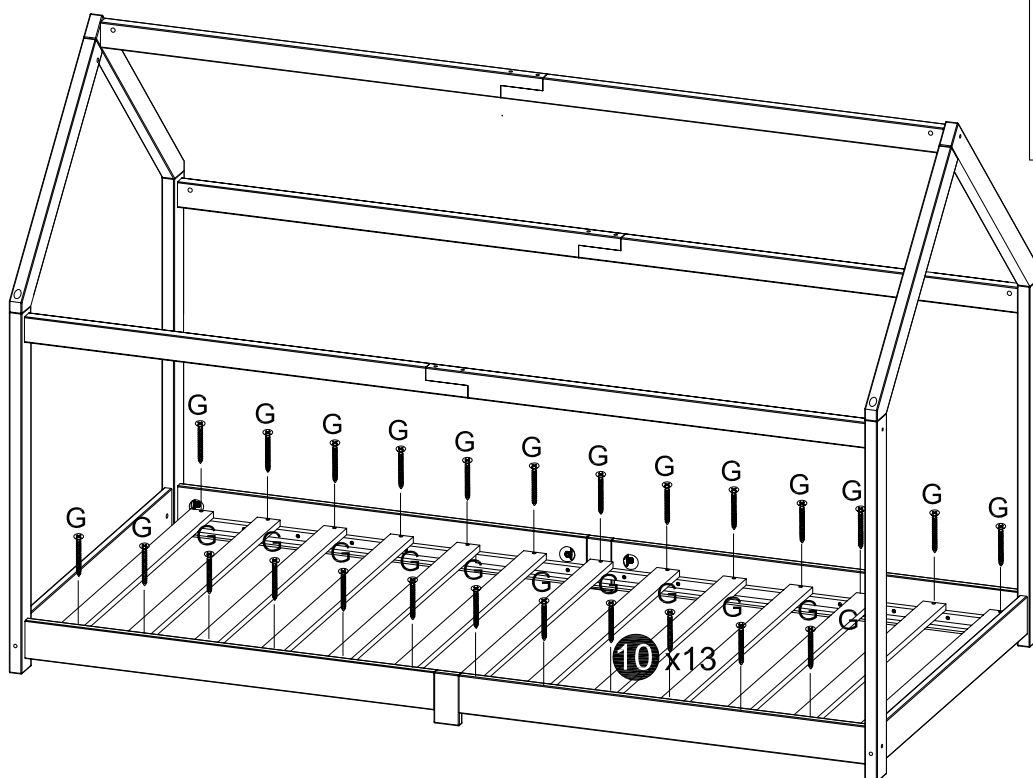
10



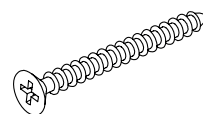
G x30



11

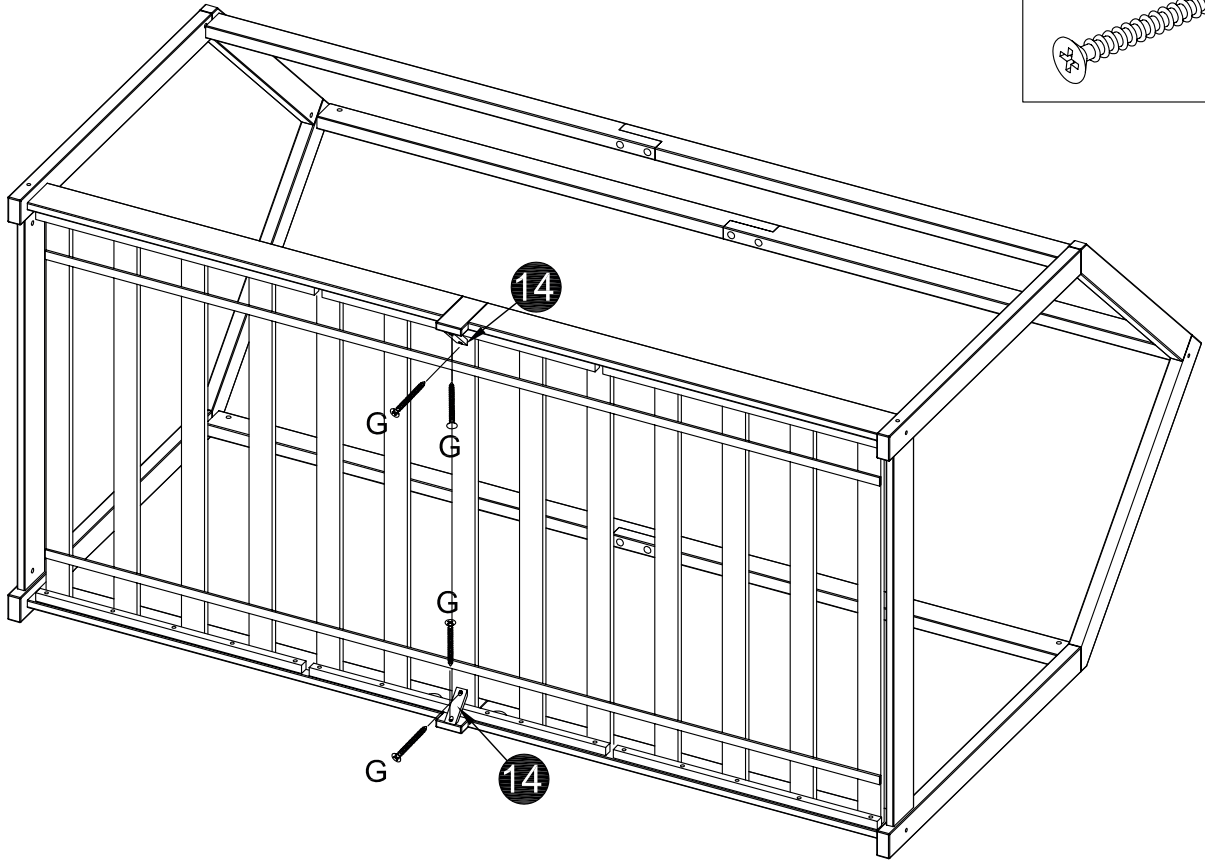
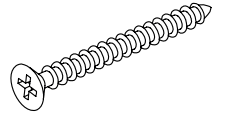


G x26



12

G x4



NO HANGING

