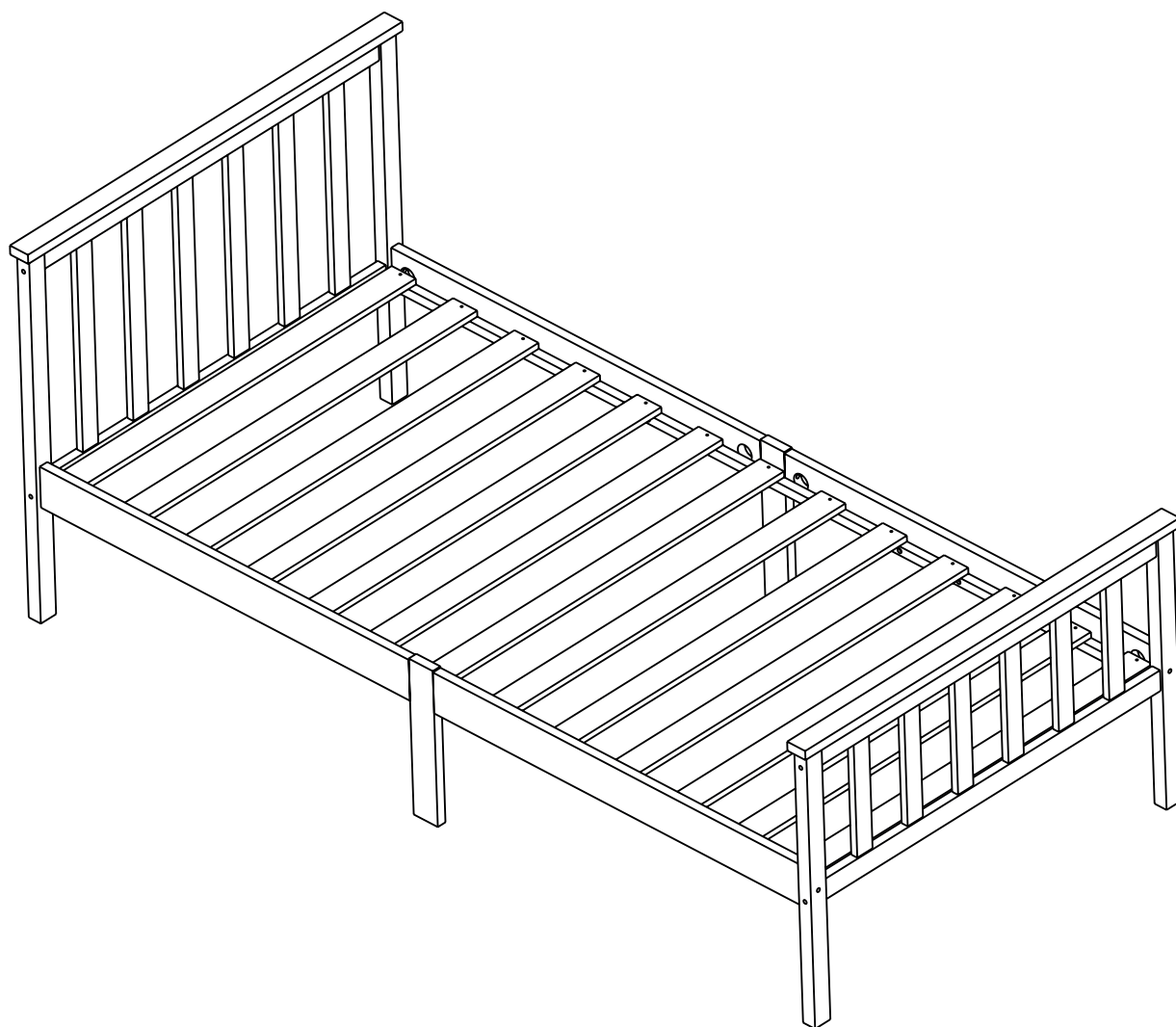


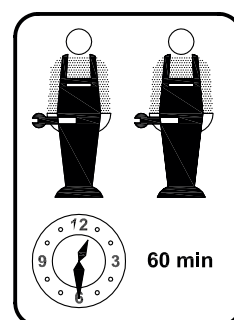
# Cama de madeira 90 x 200 cm

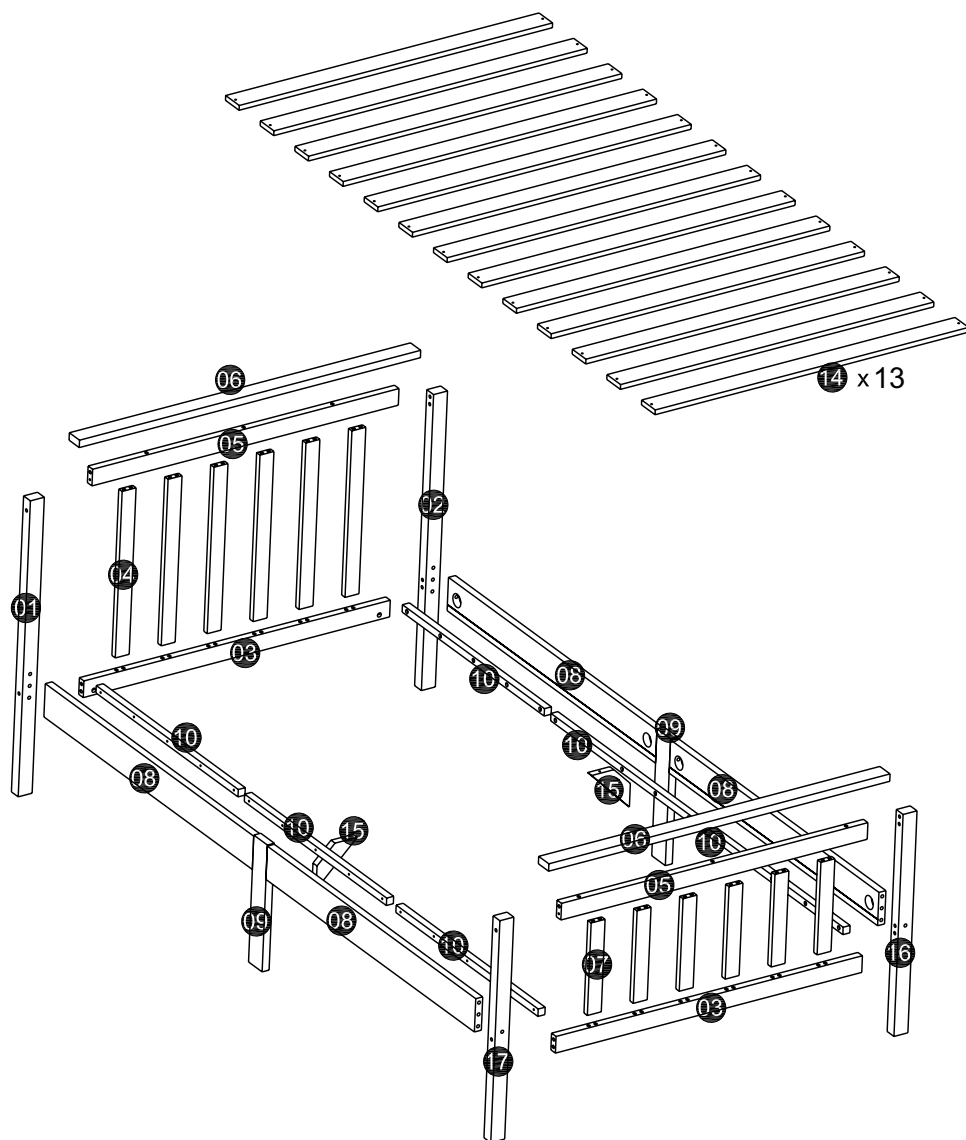
ML-232 - ML-234

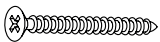
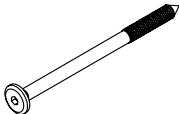
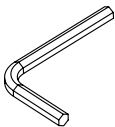
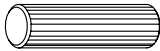
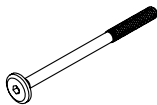

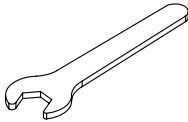
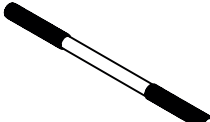
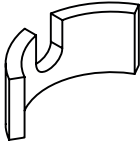

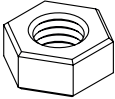



READ THE ASSEMBLY INSTRUCTIONS CAREFULLY. IDENTIFY THE ELEMENTS CONSTITUING YOUR PIECE OF FURNITURE. GROUP AND CHECK THE HARDWARE FITTINGS. GET THE TOOLS NEEDED. CLEAR SPACE TO WORK. PROCEED TO ASSEMBLE

NEVER FORCE THE FITTINGS. TIGHTEN THE SCREW AFTER USING FOR SOMETIME. KEEP YOUR ASSEMBLY INSTRUCTIONS, IT COULD HELP FOR BETTER COMMUNICATION WITH YOUR STORE. IN THE EVENT OF QUERY.





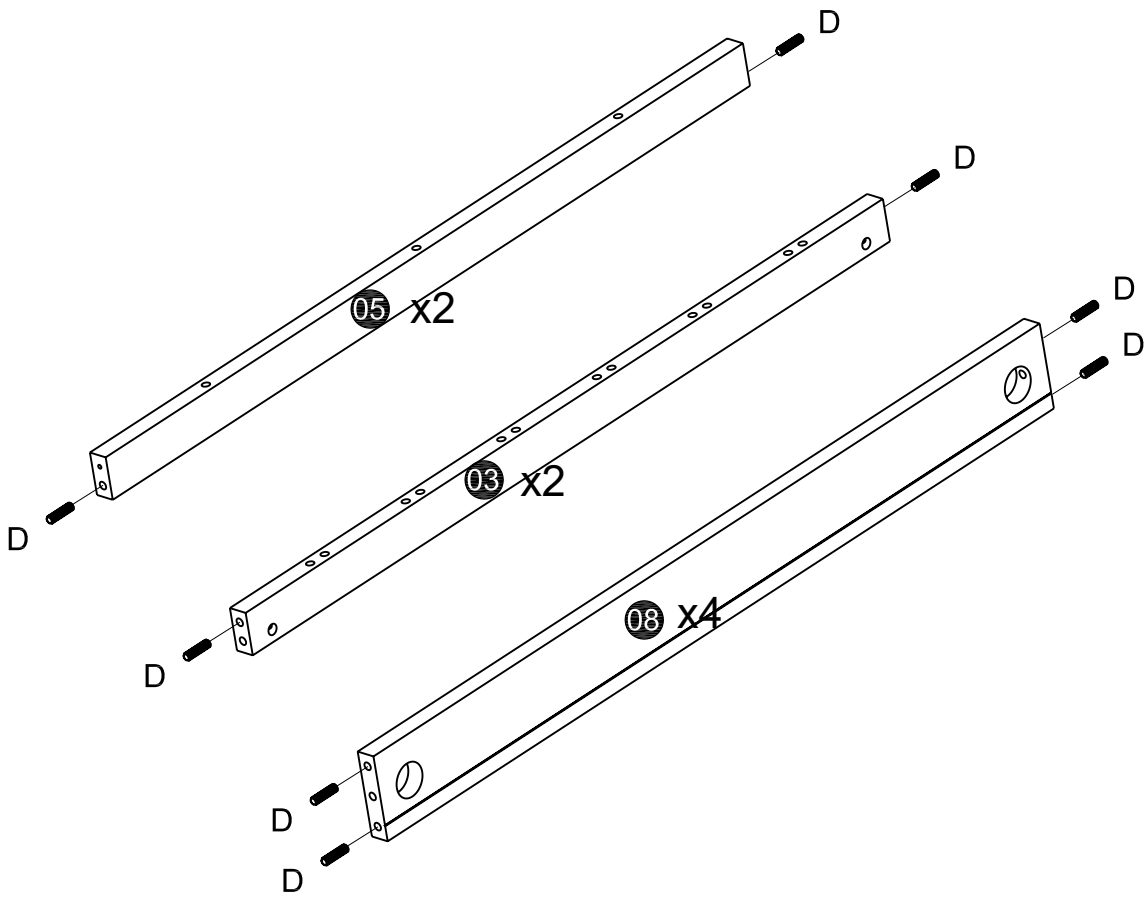
<p>A x60</p>  <p>Ø4 x30mm</p>	<p>B x4</p>  <p>Ø6 x90mm</p>	<p>C x1</p> 	<p>D x72</p>  <p>Ø8 x30mm</p>	<p>E x8</p>  <p>M6 x90mm</p>
<p>F x4</p> 	<p>G x1</p> 	<p>H x2</p>  <p>M6 x140mm</p>	<p>I x8</p> 	<p>J x8</p> 
<p>K x8</p> 	<p>M x6</p>  <p>M6 x70mm</p>			

01

D x 24



Ø8 x30mm

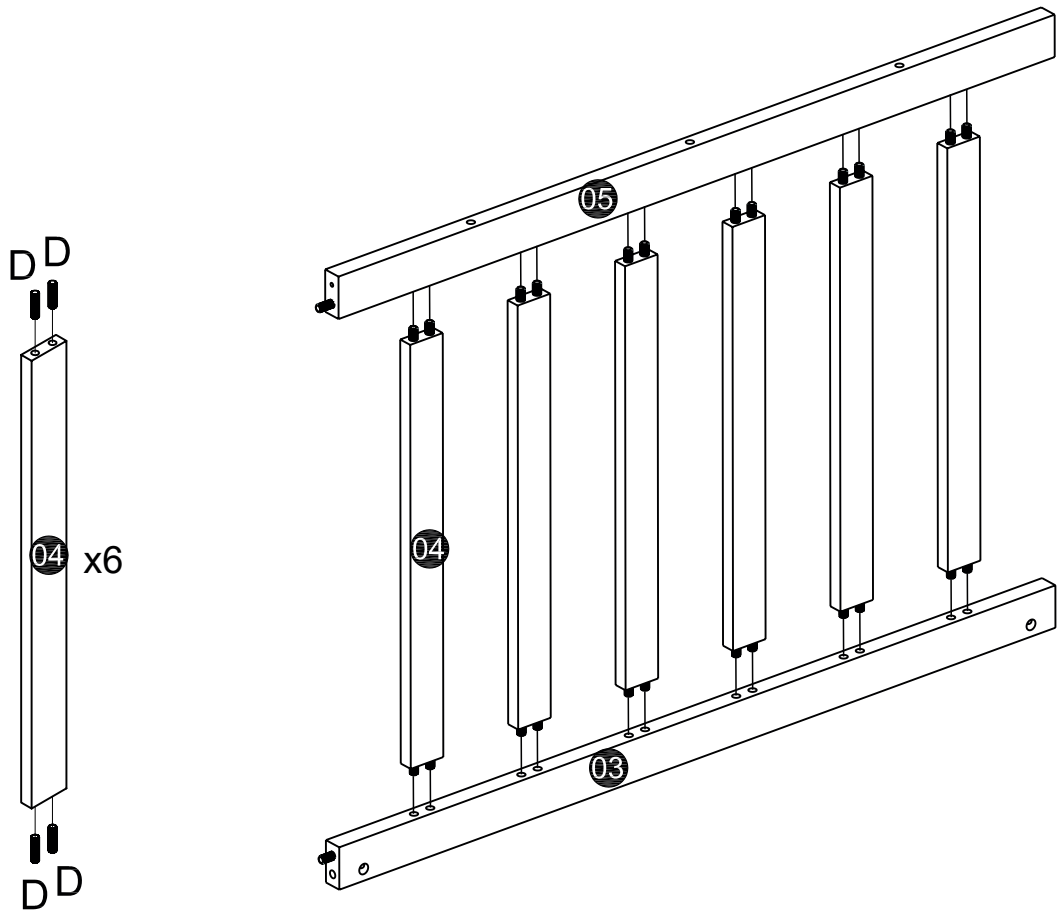


02


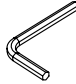
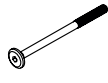

D x 24

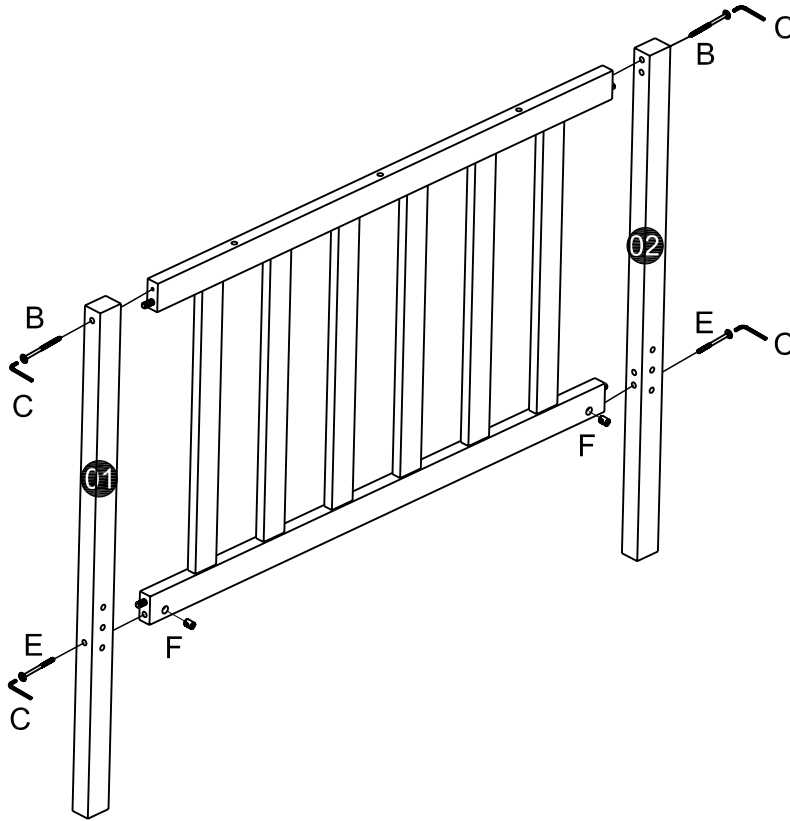


Ø8 x30mm


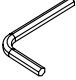


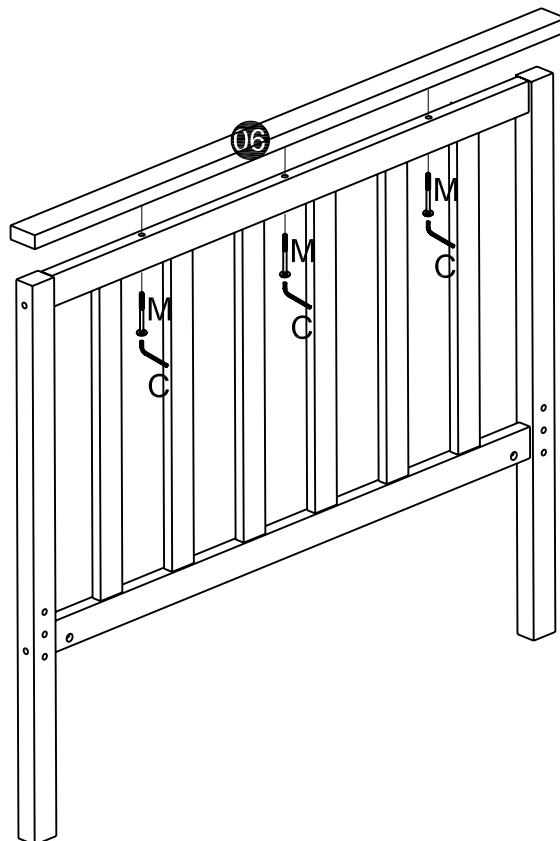
03

B x2  Ø6 x90mm	C x1 	E x2  M6 x90mm	F x2 
---	--	---	---



04

M x3  M6 x70mm	C x1 
---	---

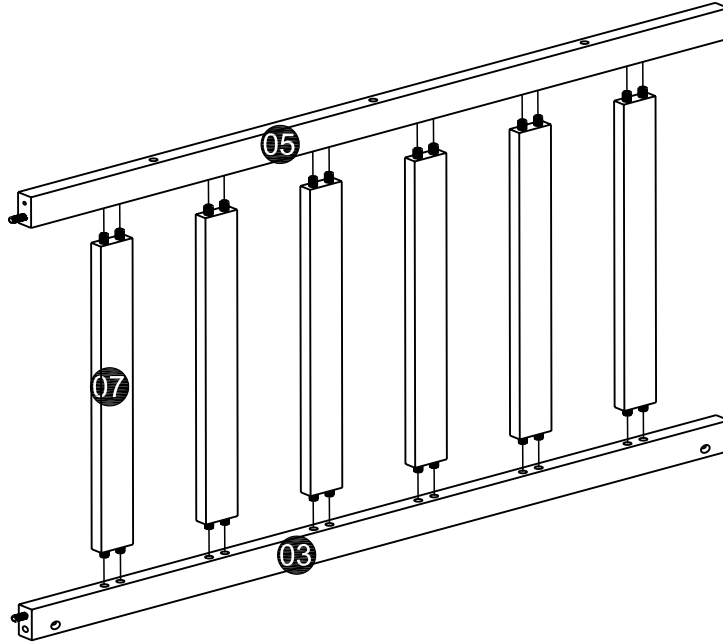
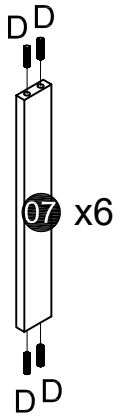


05

D x24

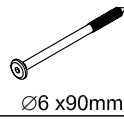


∅8 x30mm



06

B x2

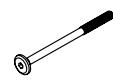


∅6 x90mm

C x1

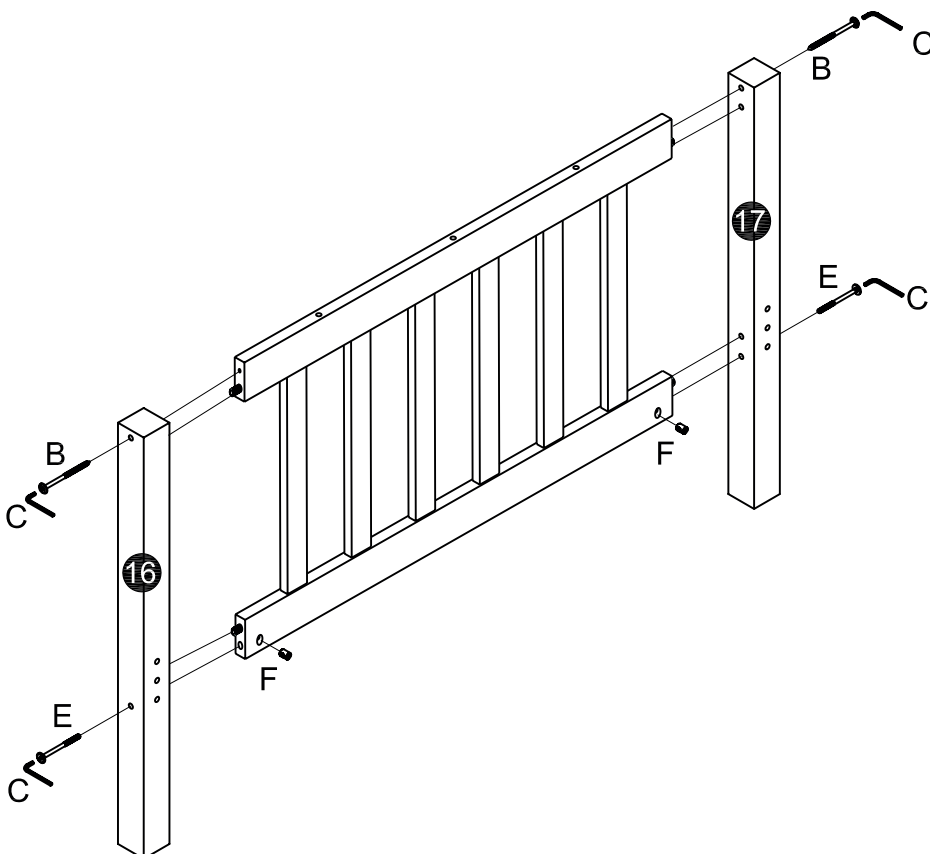


E x2



M6 x90mm

F x2



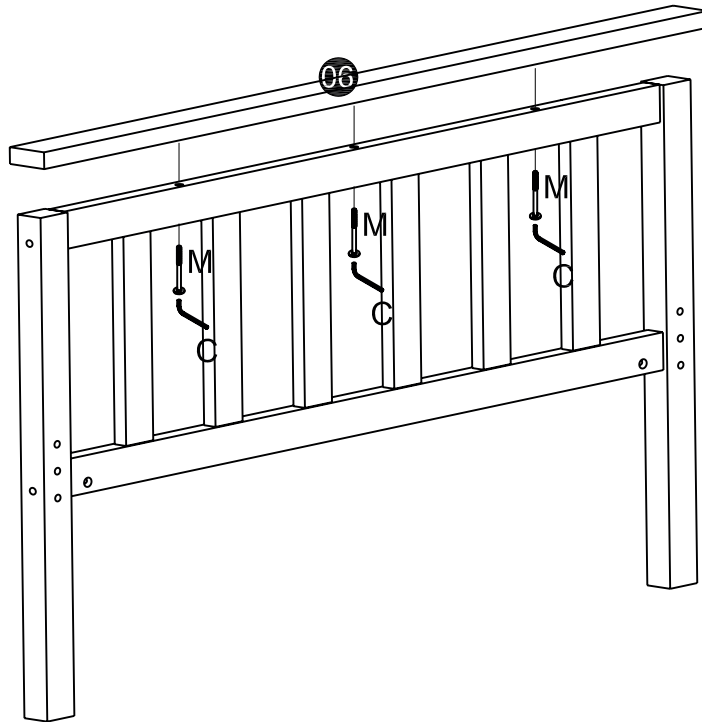
07

M x3

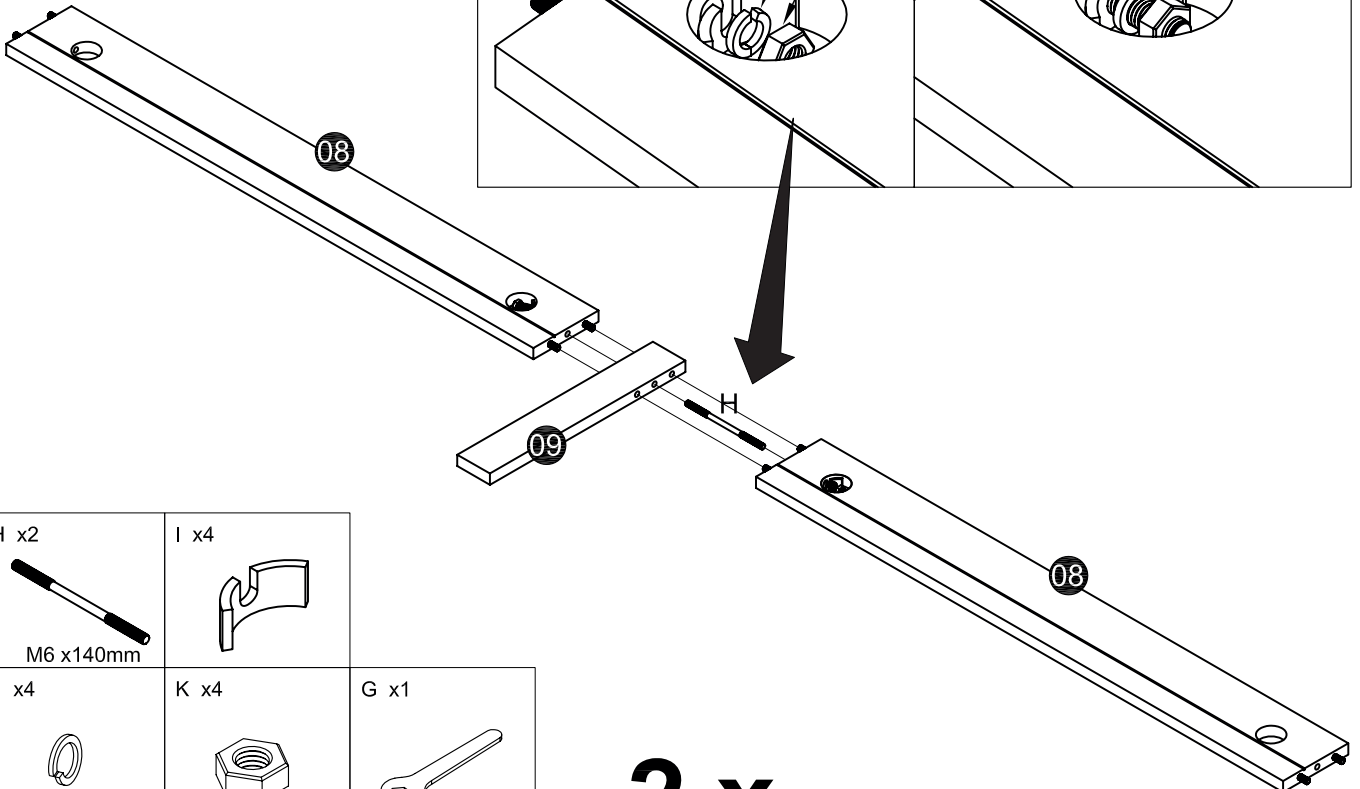
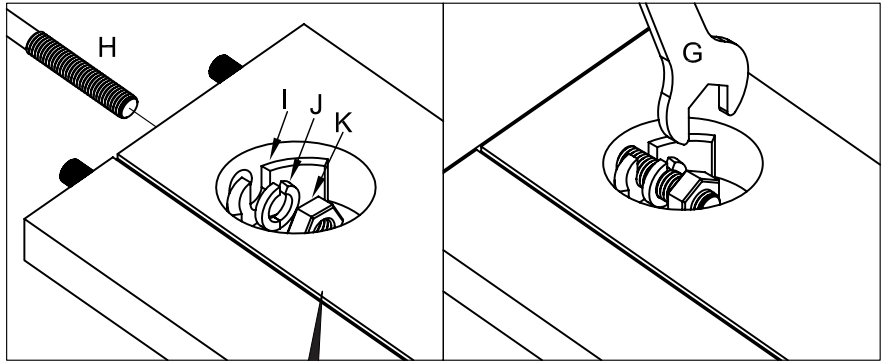
C x1



M6 x70mm



08



H x2

I x4



M6 x140mm



J x4

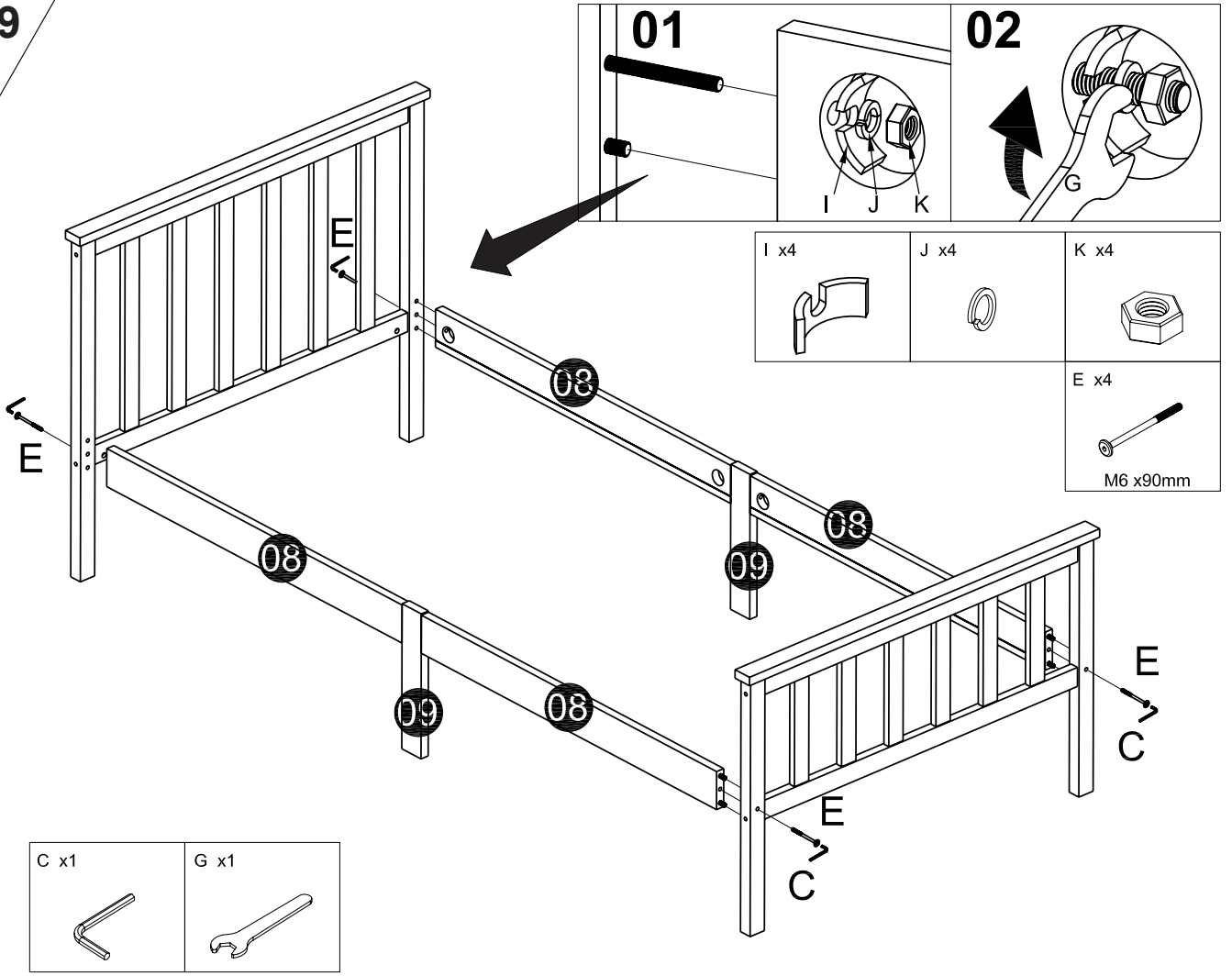
K x4

G x1

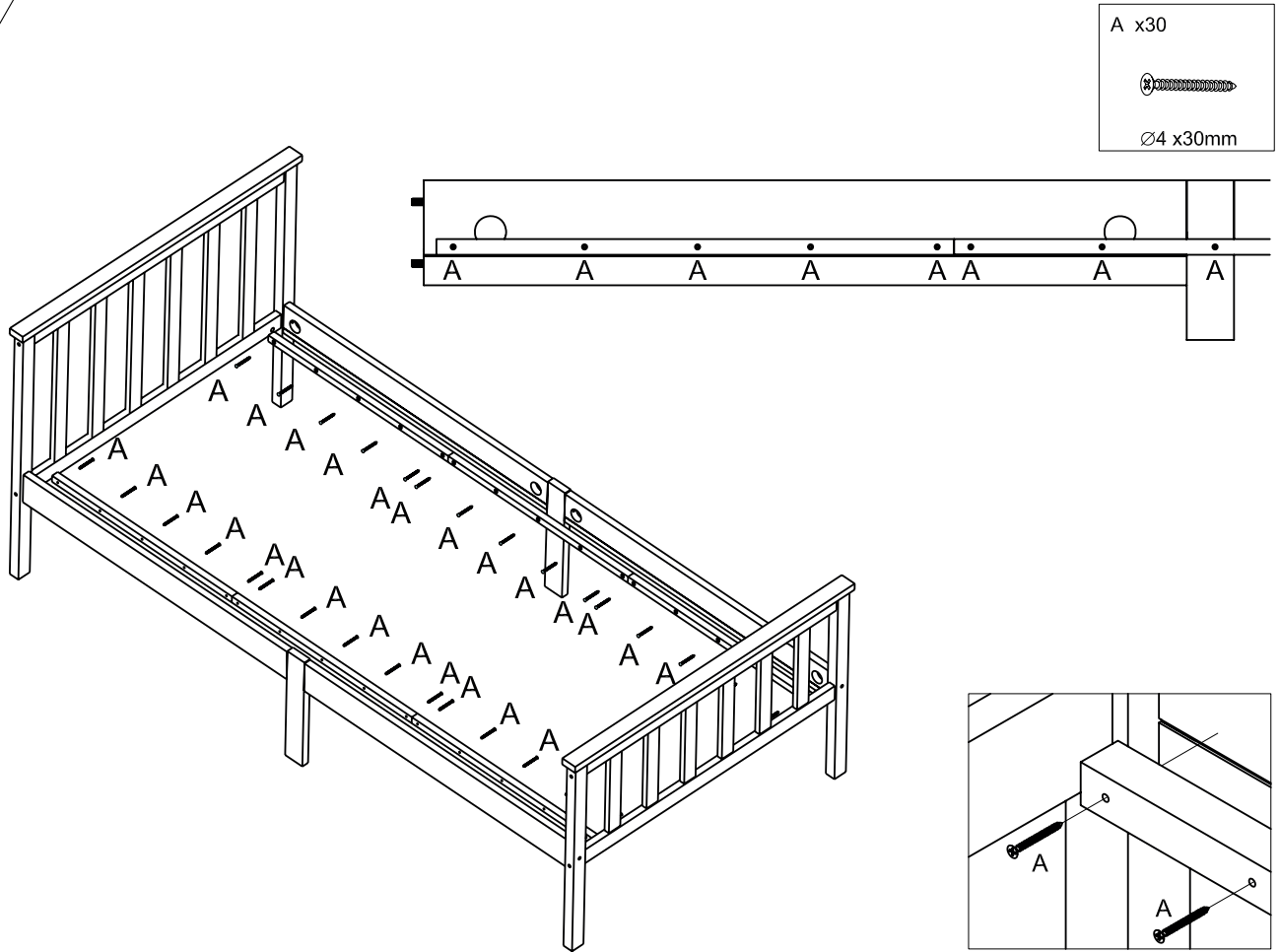


2 x

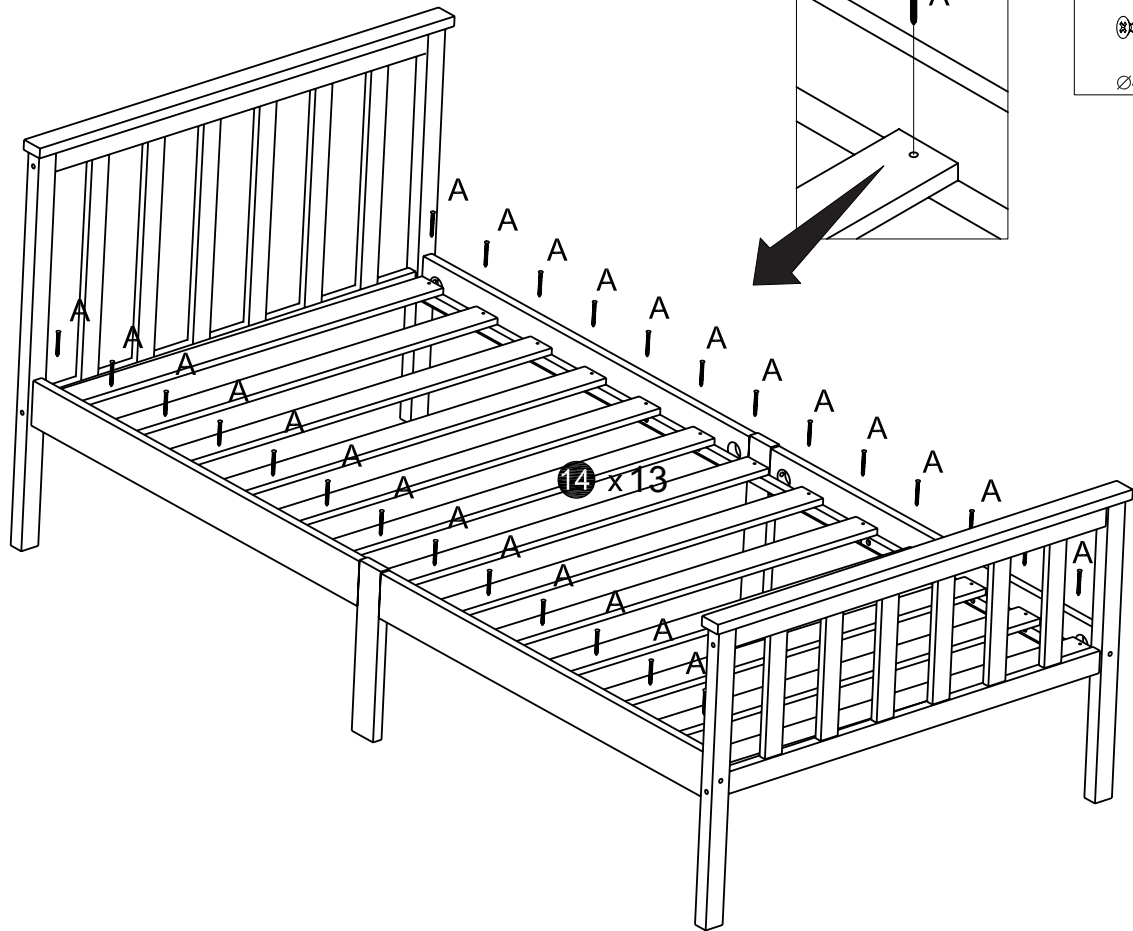
09



10



11

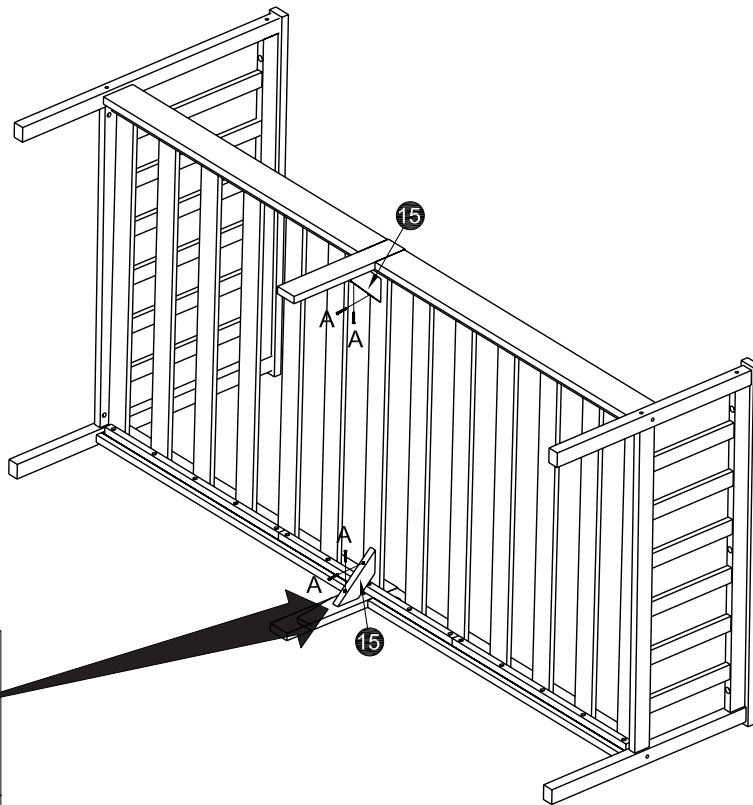


A x 26

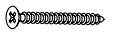


Ø4 x 30mm

12



A x 4



Ø4 x 30mm

