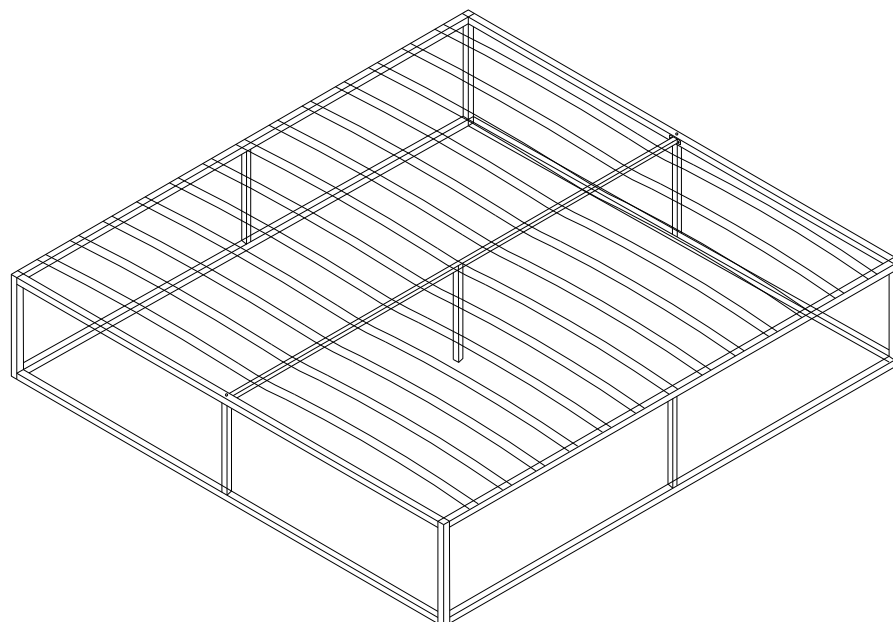
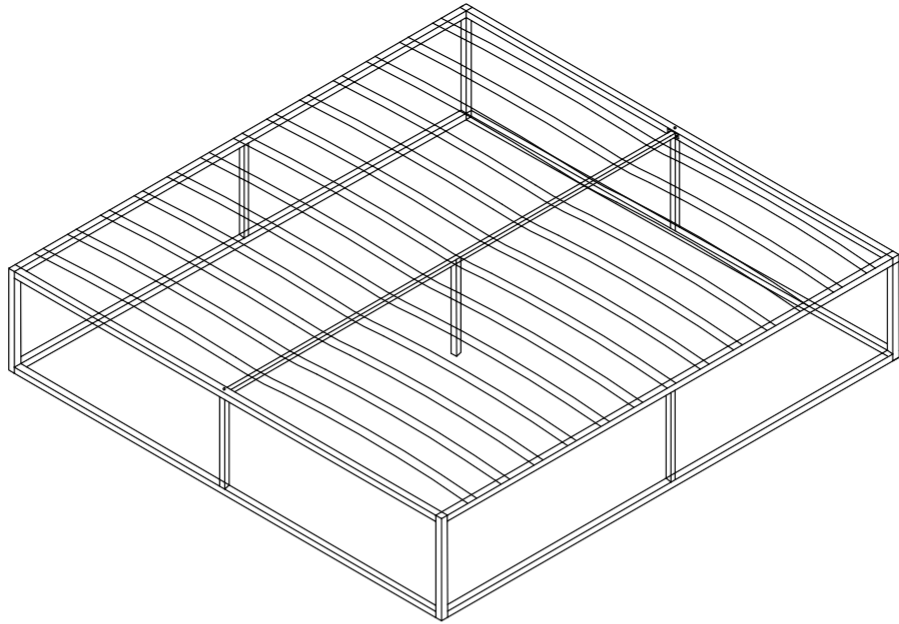


Somier de metal

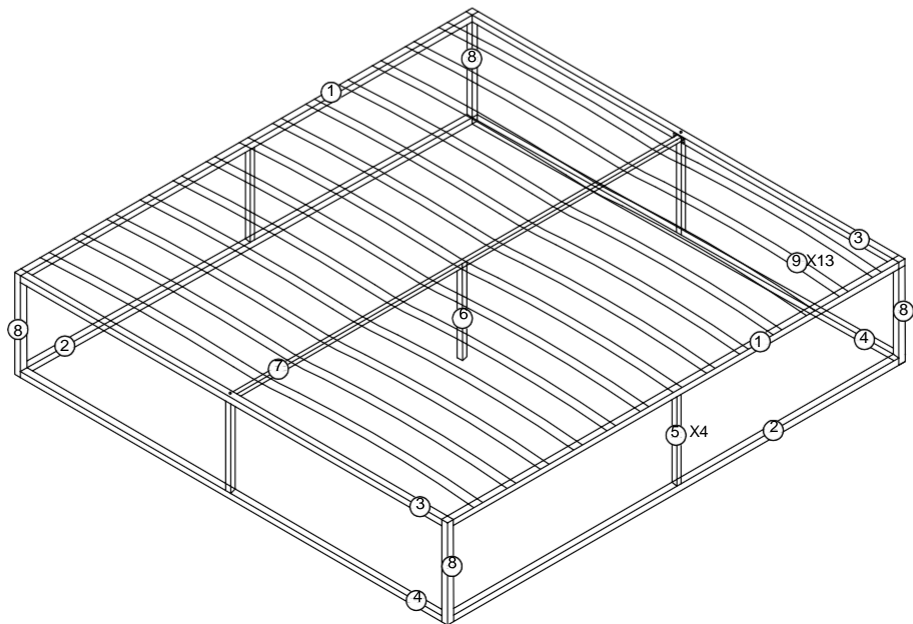
ML-162 / ML-166



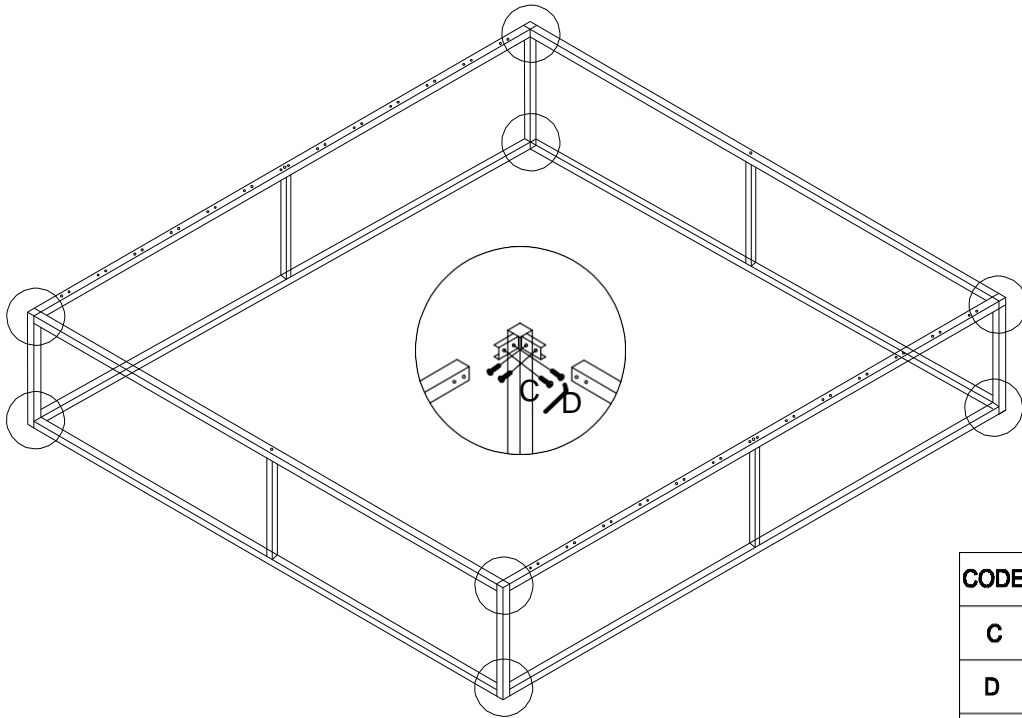




1		2	8		4
2		2	9		13
3		2			
4		2			
5		4			
6		1			
7		1			

A		M8X30mm	1				
B		M6X45mm	8				
C		M6X16mm	36				
D			2				
E			26				

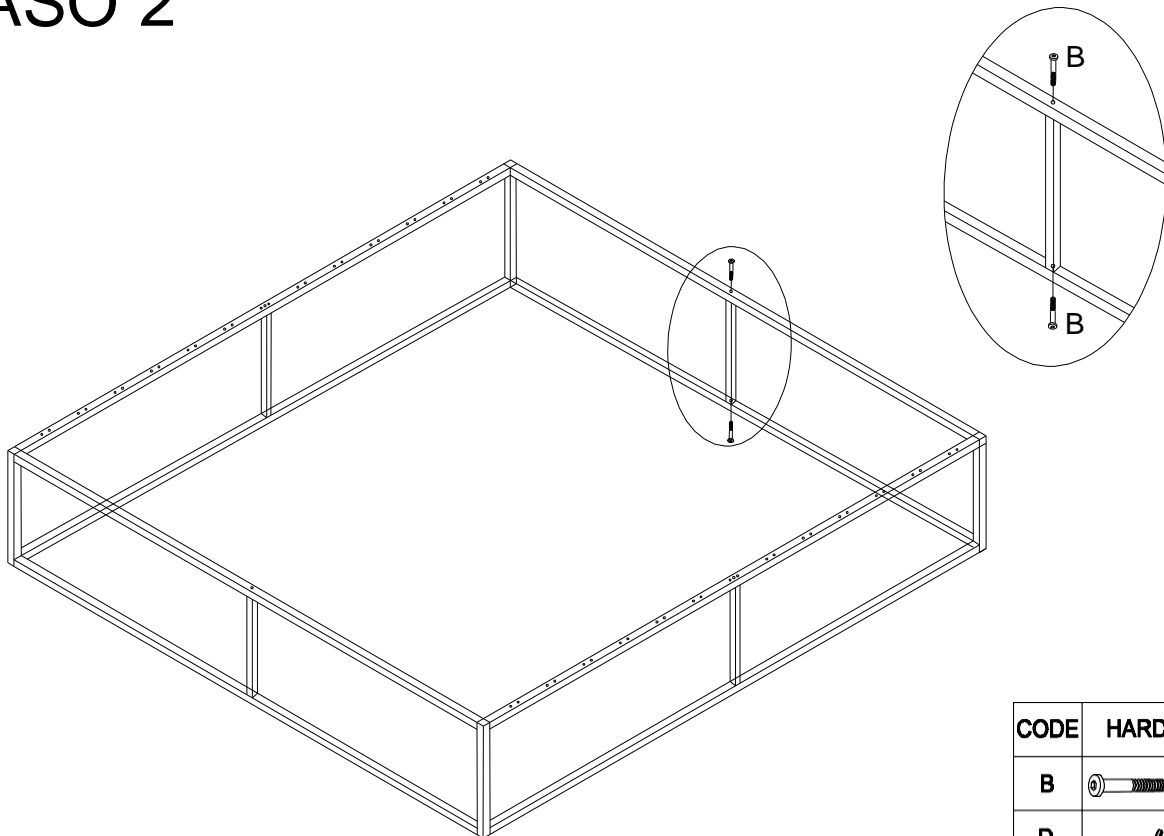




PASO 1



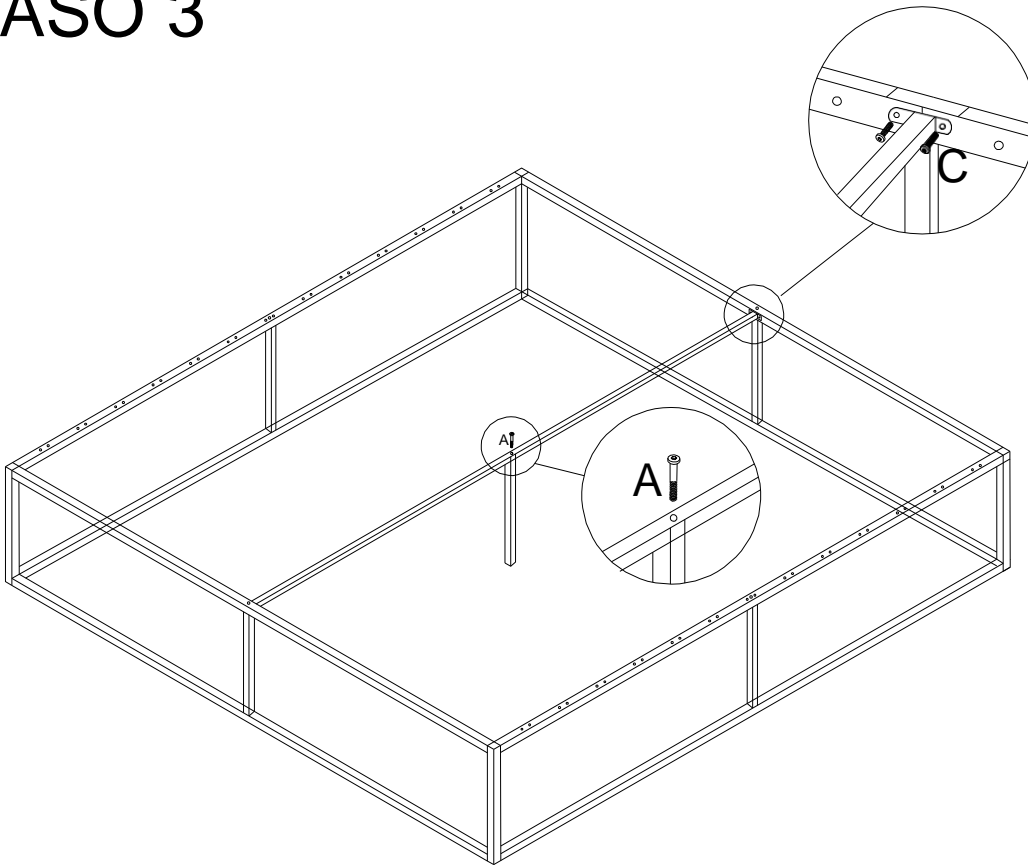
CODE	HARDWARE	QTY
C	 M6X16	32
D		1



PASO 2



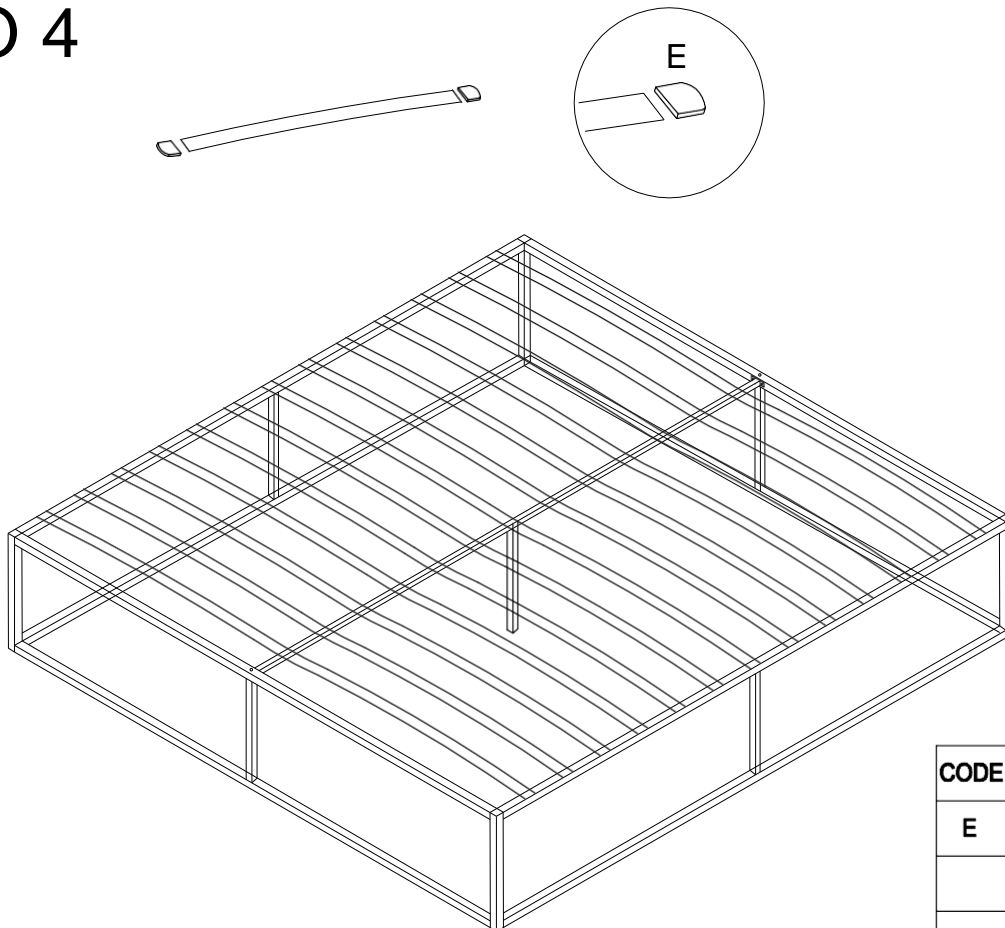
CODE	HARDWARE	QTY
B	 M6X45	8
D		1


PASO 3



CODE	HARDWARE	QTY
A	 M8X30	1
C	 M6X16	4

PASO 4



CODE	HARDWARE	QTY
E		26