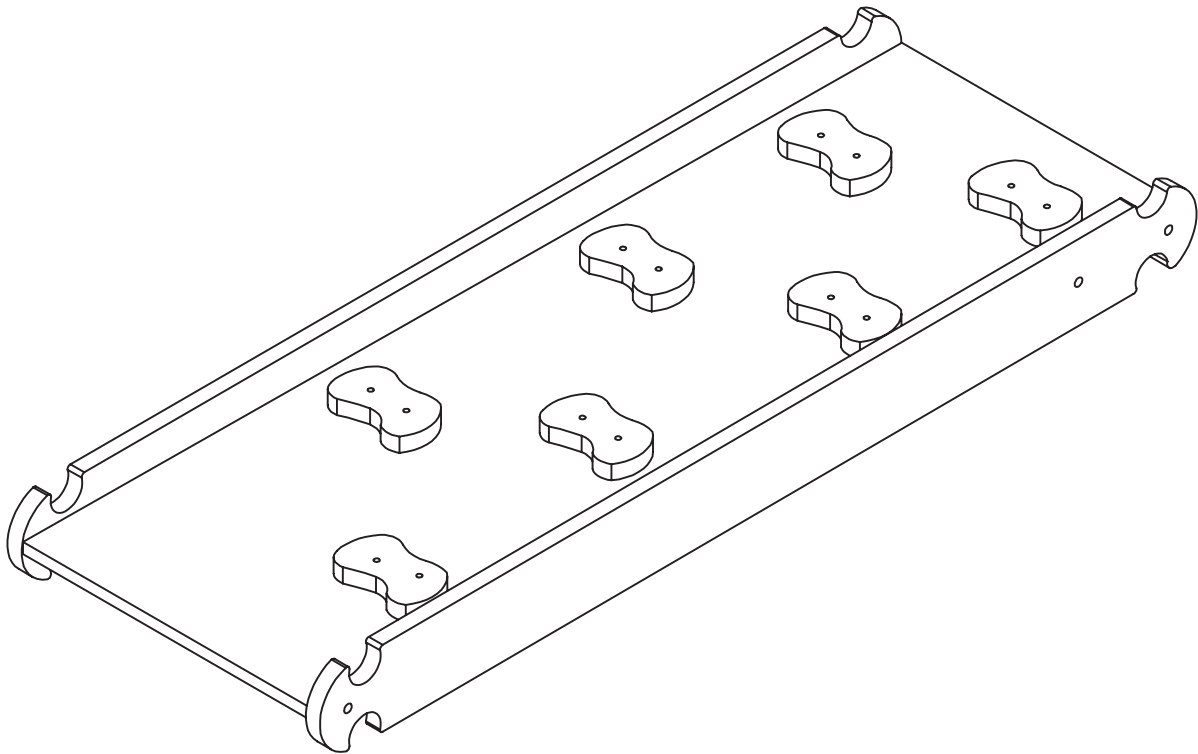


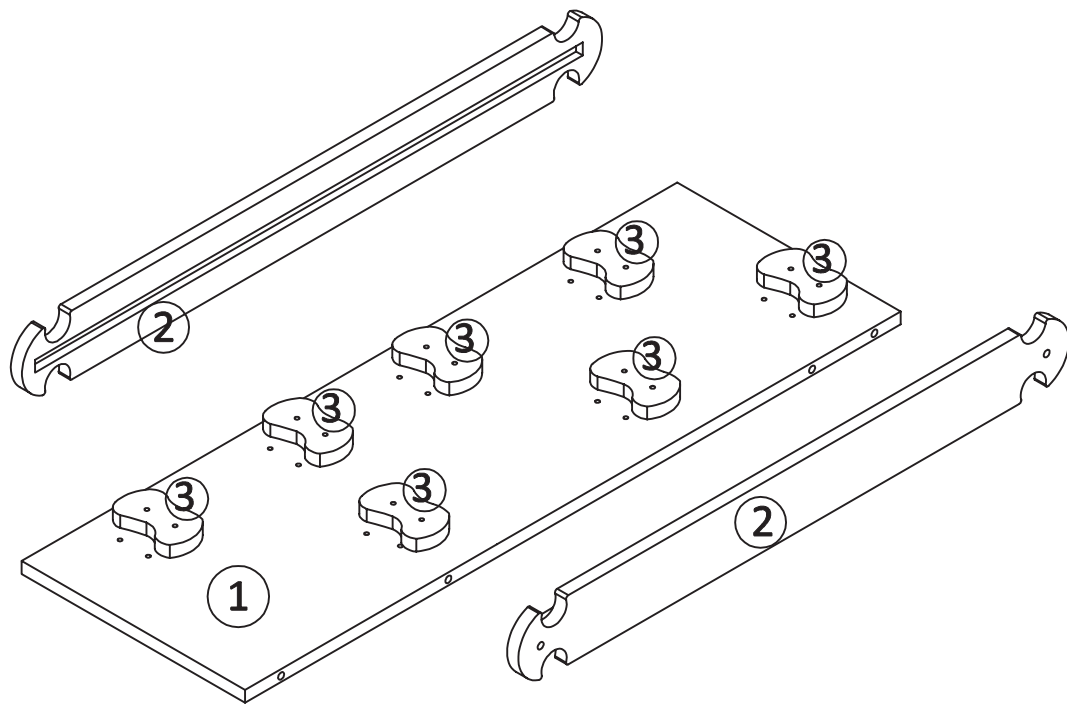


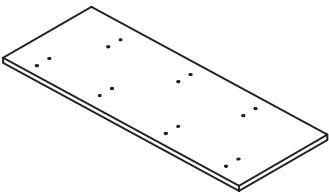
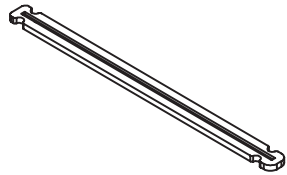
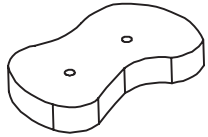
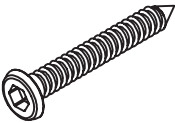

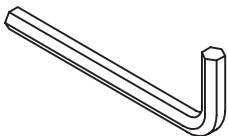


2-in-1 Kletterbrett

2-in-1 climbing board

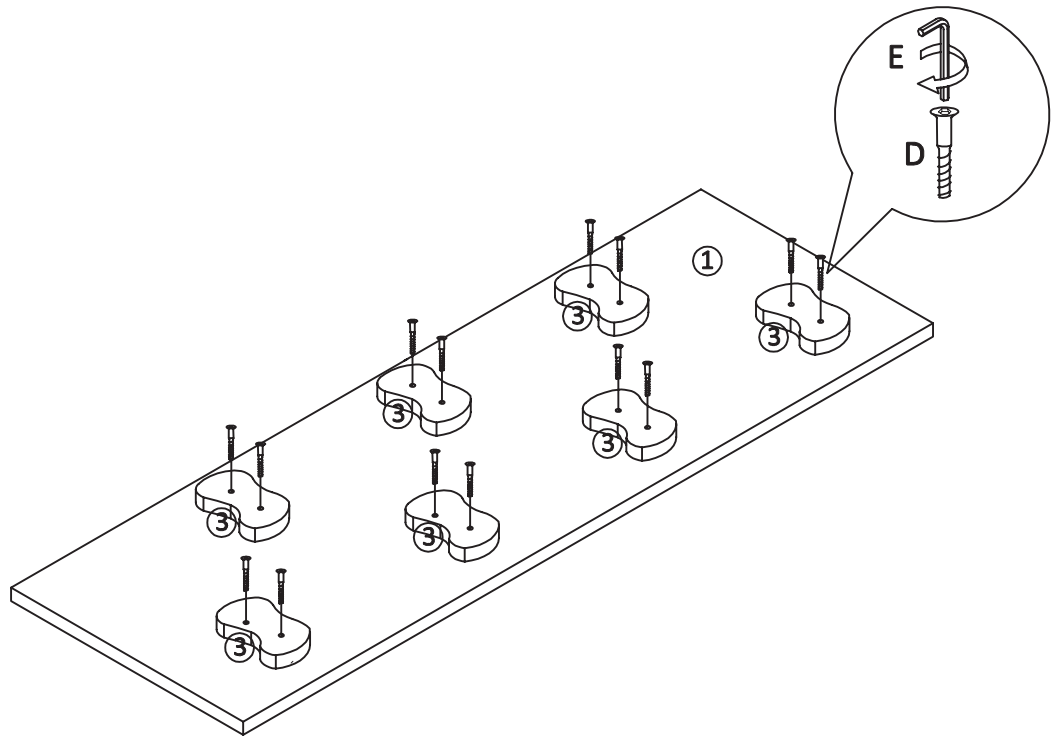


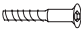



Joyz-007
Joyz-008



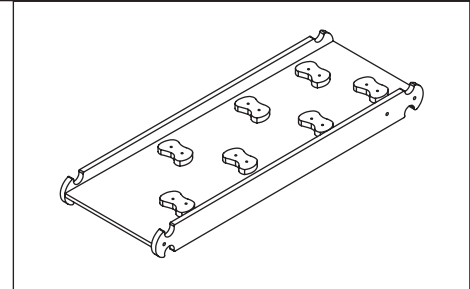
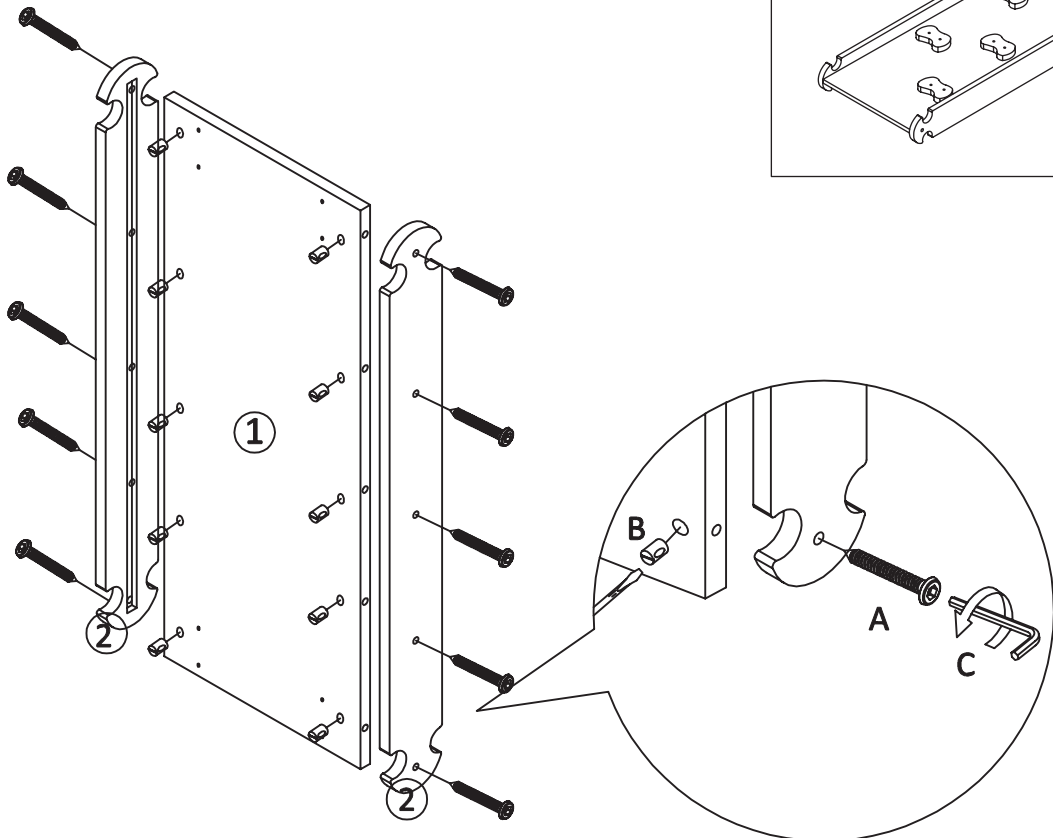
| | | | |
|---|--|---|--|
| <p>①</p>  <p>1x</p> | <p>②</p>  <p>2x</p> | <p>③</p>  <p>7x</p> | <p>A</p>  <p>10x M6*50 mm</p> |
| <p>B</p>  <p>10x Ø10*10 mm</p> | <p>C</p>  <p>1x</p> | <p>D</p>  <p>14x Ø4*25 mm</p> | <p>E</p>  <p>1x</p> |





1



| Teile / Parts | Nr. / No. | Stk. / Qty. |
|--|-----------|-------------|
|  | D | 14 |
|  | E | 1 |
|  | 1 | 1 |
|  | 3 | 7 |

2



| Teile / Parts | Nr. / No. | Stk. / Qty. |
|--|-----------|-------------|
|  | A | 10 |
|  | B | 10 |
|  | C | 1 |
|  | 2 | 2 |

