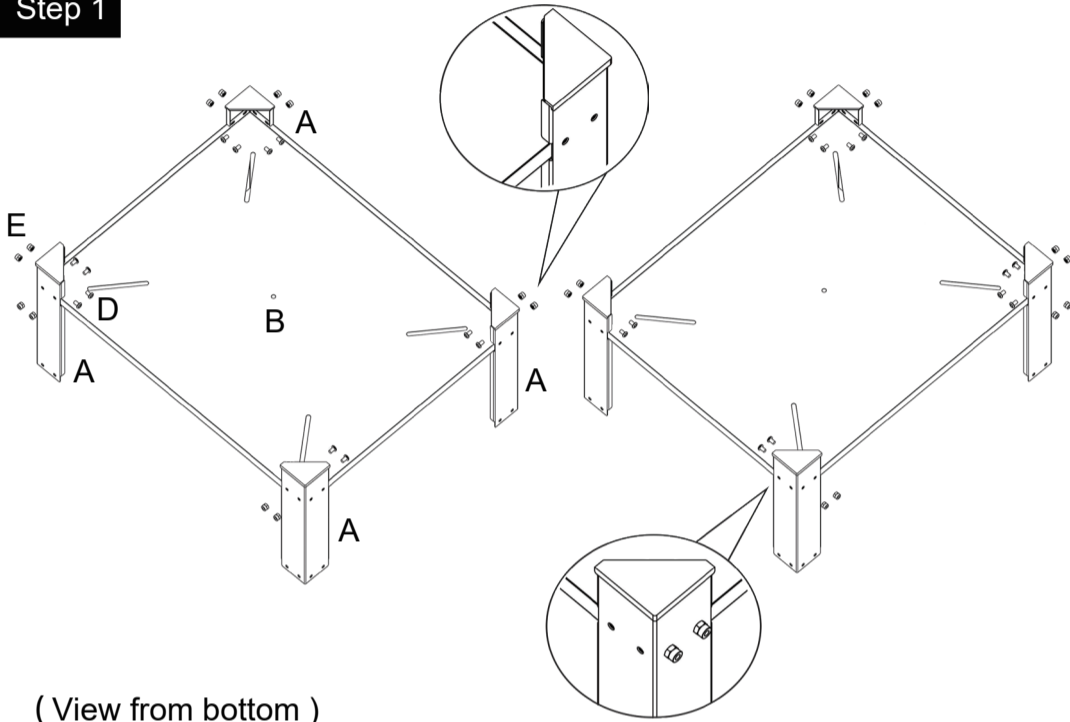
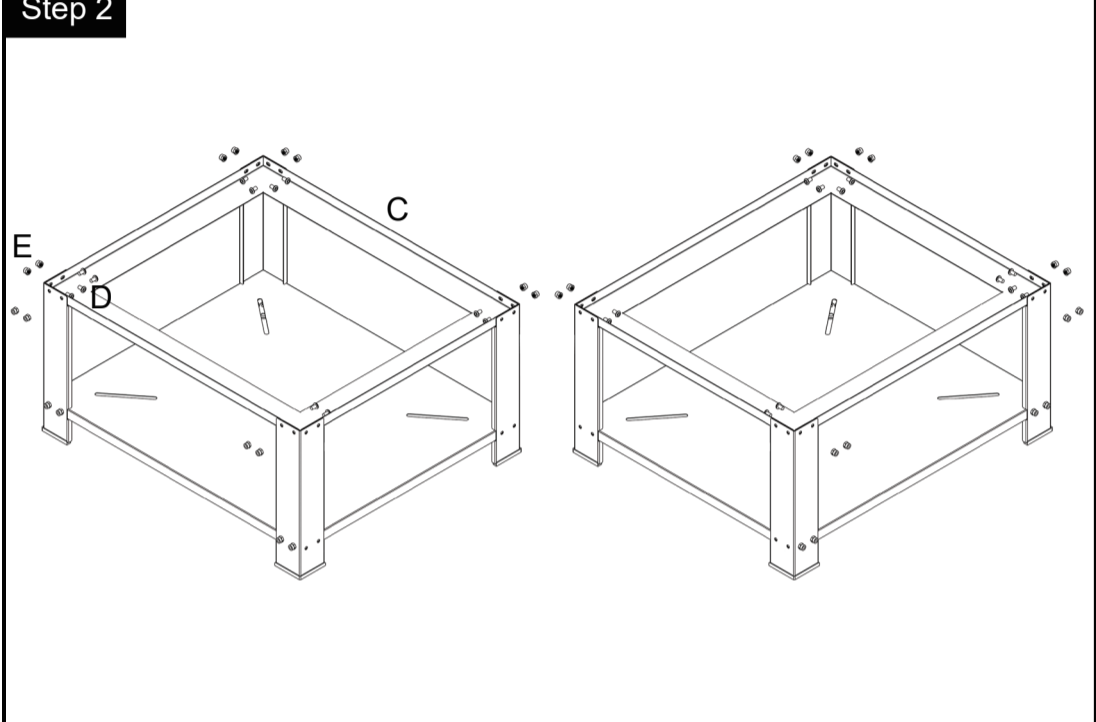


Code	Parts	Quantity	Code	Parts	Quantity
A		8	D		48
B		2	E		56
C		2	F		8
			G		8
			H		8
			I		1

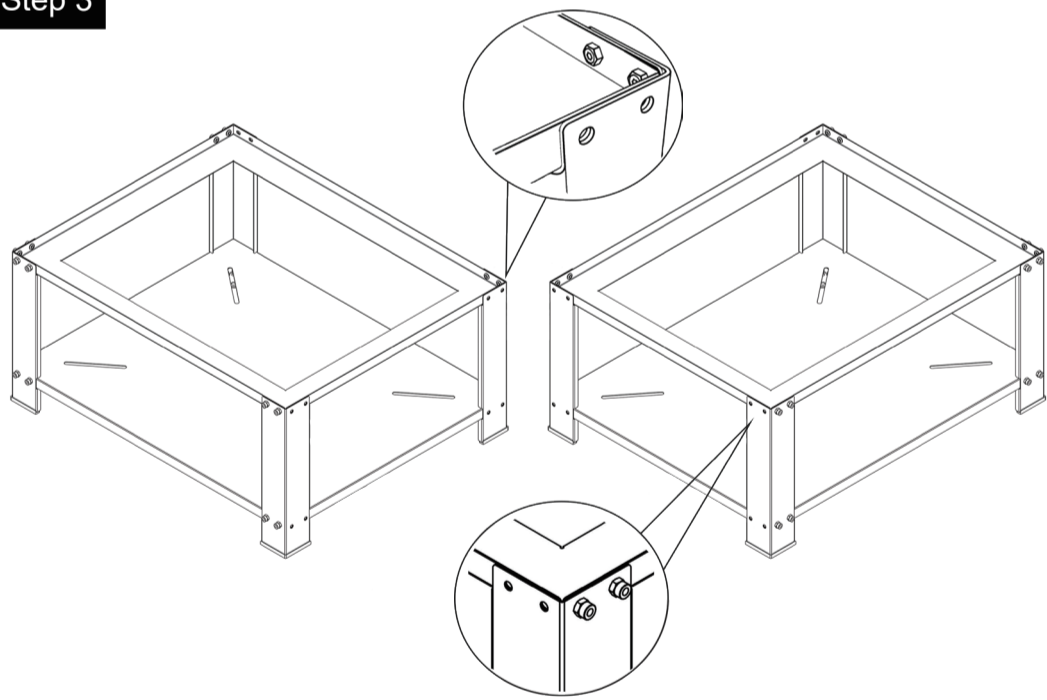
**Step 1**



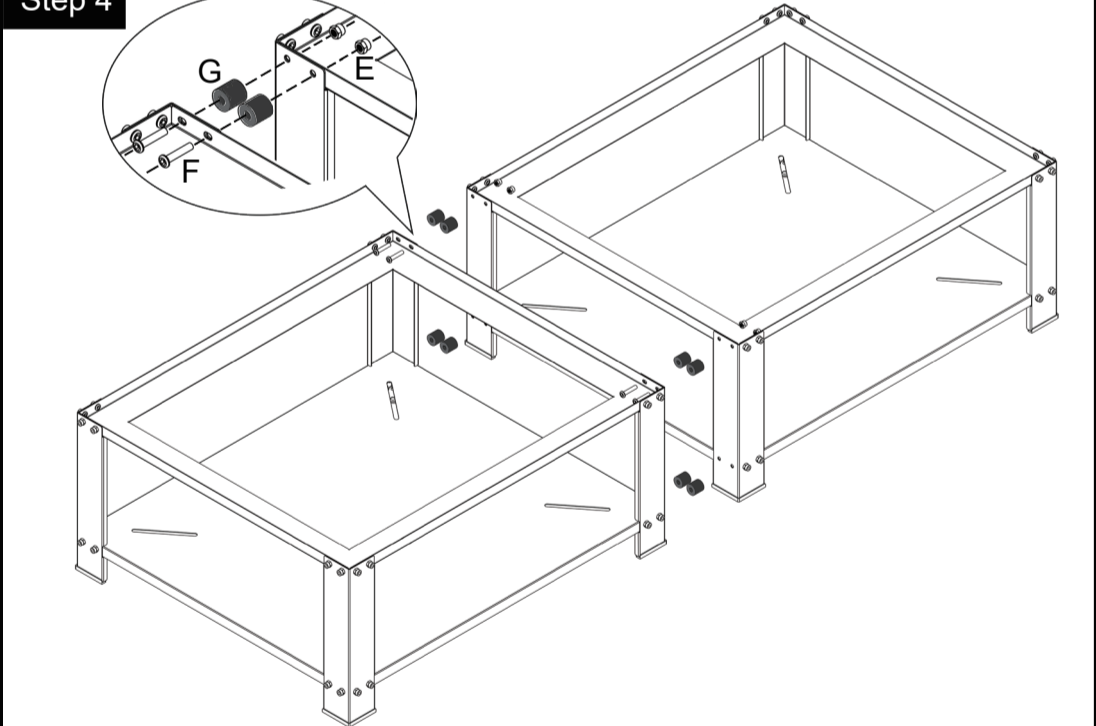
**Step 2**



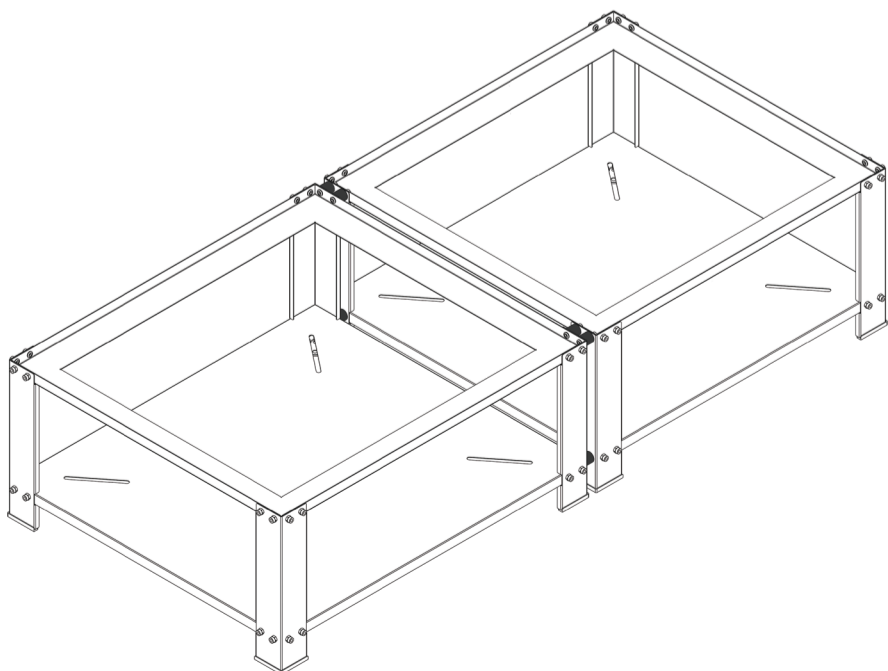
**Step 3**



**Step 4**



**Step 5**



**Step 6**

